

Western Electric Company

No.69-A AMPLIFIER

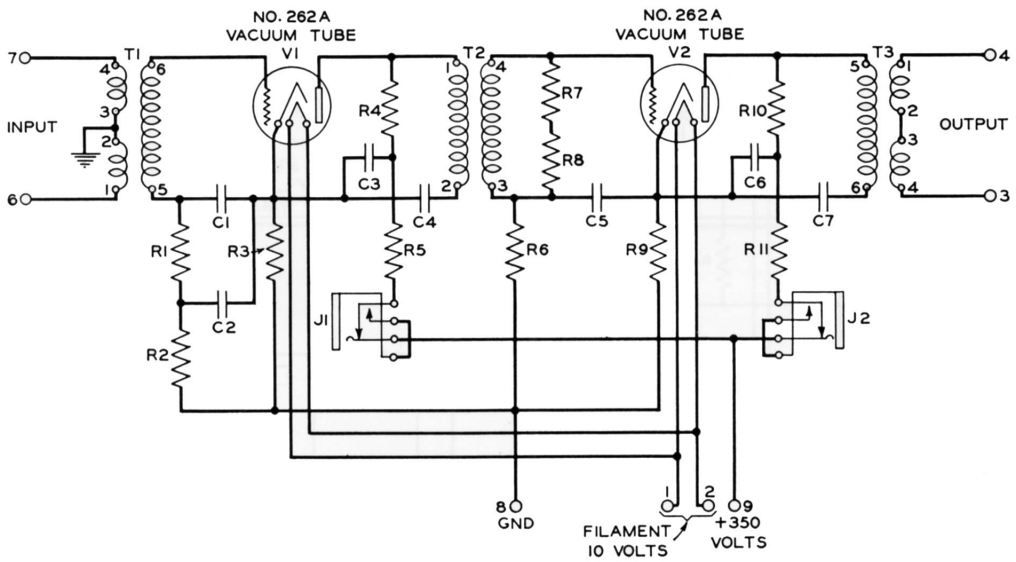
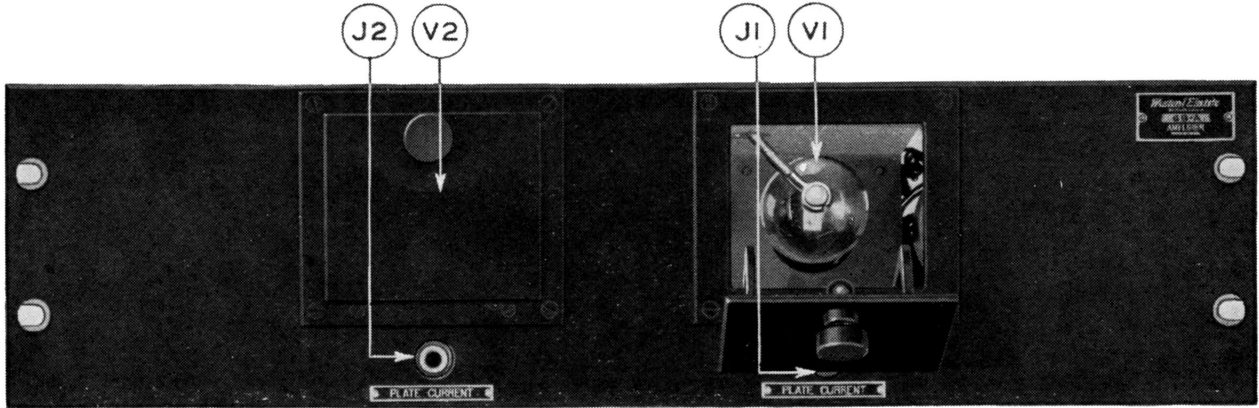


Fig. 2—Schematic Diagram of No. 69A Amplifier

TERMINAL NUMBERS AND CONNECTIONS FOR NO. 69A AMPLIFIER

Terminal Numbers	External Connection
1 and 2	10 volts AC (filament supply transformer)
3 and 4	Output
5	Not used
6 and 7	Input
8	{ Negative, 350 volts DC; Center tap, secondary of 10-Volt Transformer; and Ground
9	