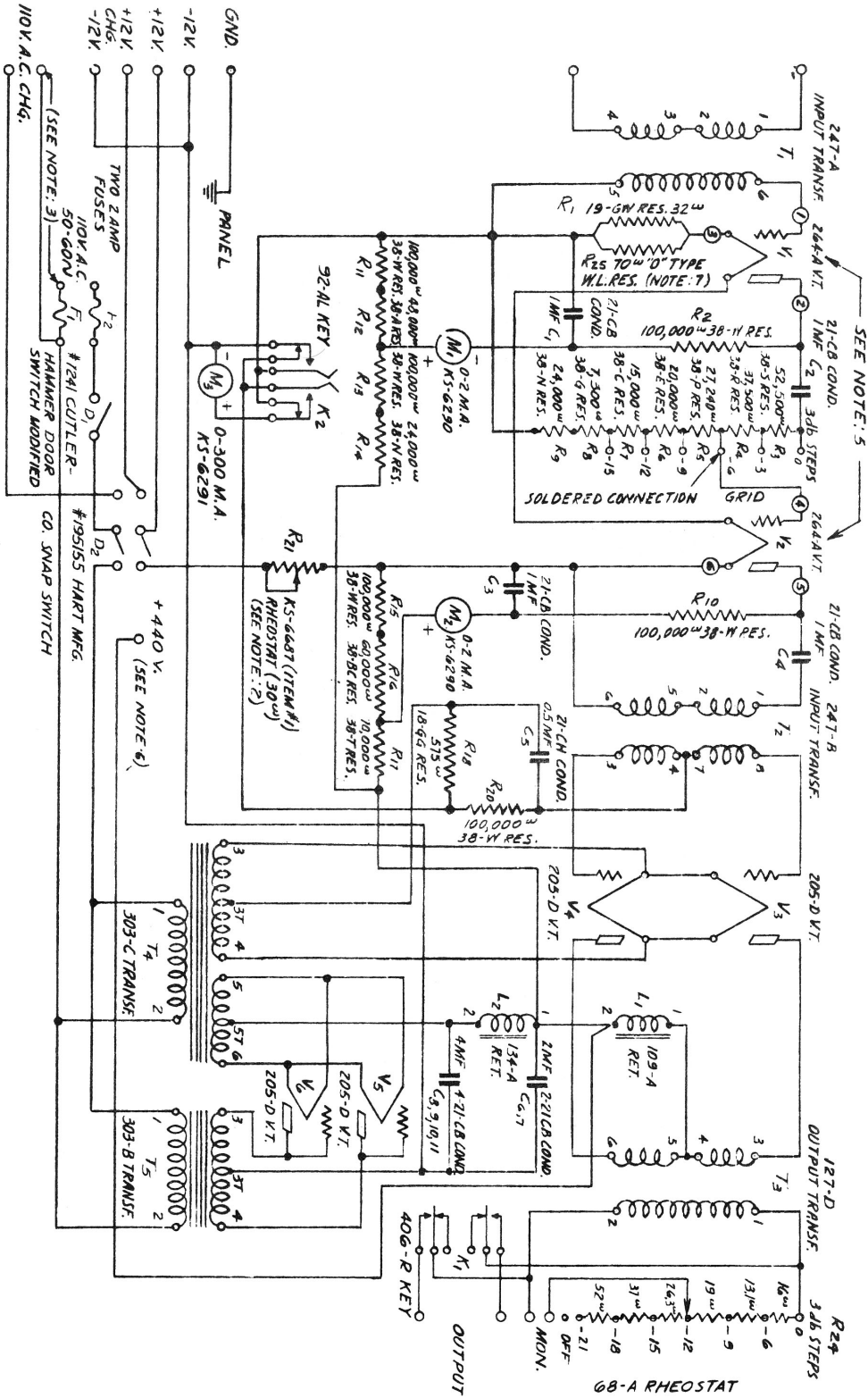


No. 46-C AMPLIFIER



- NOTES:-
1. TERMS SHOWN THUS ① ② ③ ARE ON V.T. SOCKET TERMINAL STRIP.
  2. THE CIRCUIT SHOWN ABOVE IS FOR THE 46-C AMPLIFIER MODIFIED PER TA-139 THE CIRCUIT OF THE 46-C OR 46-F AMPLIFIER MODIFIED PER TA-140 IS IDENTICAL EXCEPT THAT THE 30Ω RHEOSTAT, R21 IS REPLACED BY THE 45-687 (ITEM #1) 45Ω RHEOSTAT.
  3. THESE TERMS ARE NICKEL PLATED, AND THE GND. SIDE OF THE 110V A.C. CIRCUIT AND OF THE CHARGER CIRCUIT RESPECTIVELY, MUST BE CONNECTED TO THEM.
  4. FOR REPLACING THE 21-CB CONDENSERS, C3 TO C5, IN THE FIELD ORDER D-92583 CONDENSERS, WHICH HAVE A HIGHER BREAKDOWN. THIS REPLACEMENT IS NOW BEING MADE ON 46 TYPE AMPLIFIERS BEFORE SHIPMENT FROM THE WAREHOUSE.
  5. 264-A VACUUM TUBES REPLACE 239-A.
  6. +440 V. TERMINAL ADDED.
  7. R5, 10Ω TYPE 07WL. RESISTANCE ADDED.