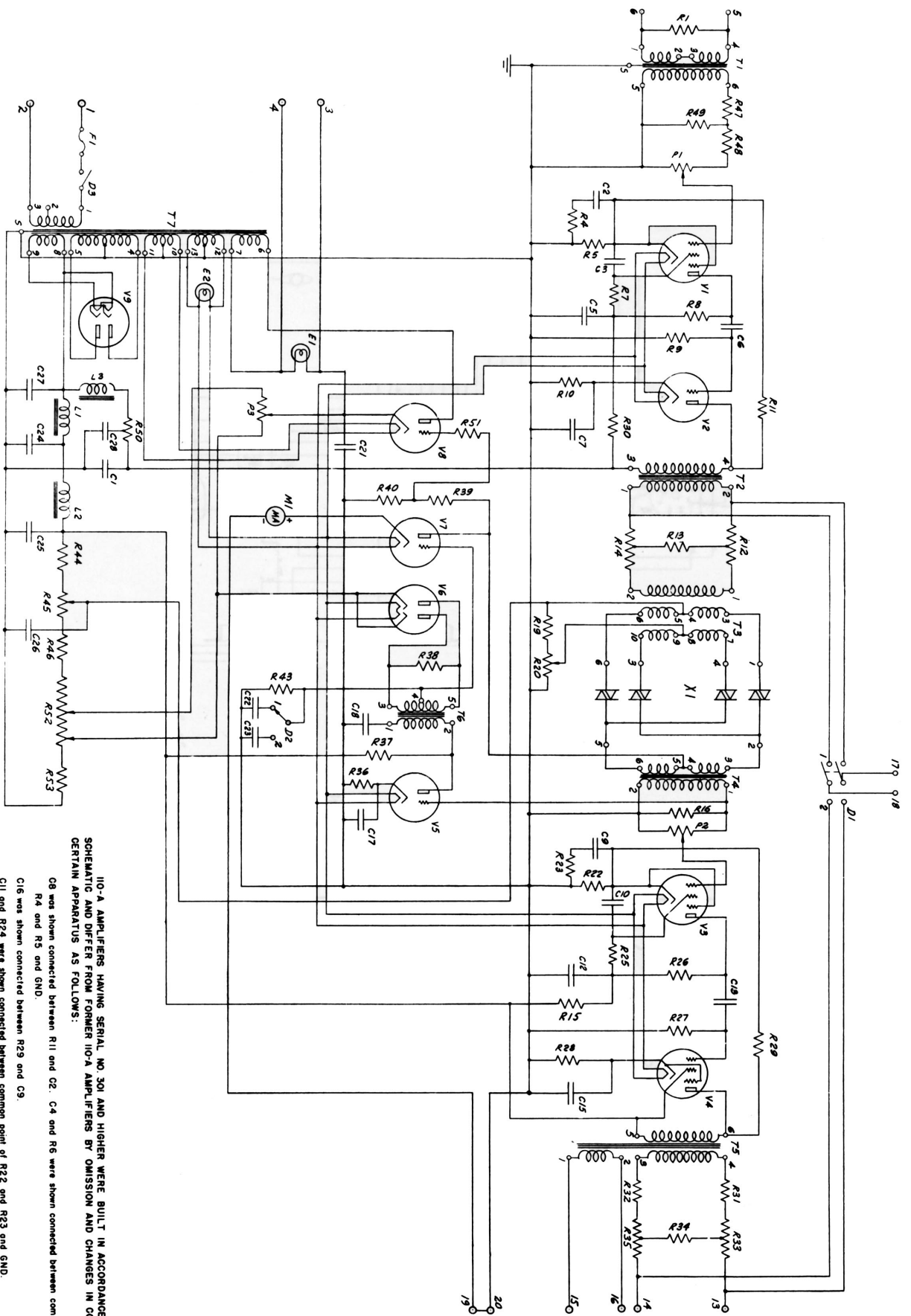


No. 110-A AMPLIFIER



110-A AMPLIFIERS HAVING SERIAL NO 301 AND HIGHER WERE BUILT IN ACCORDANCE WITH THIS SCHEMATIC AND DIFFER FROM FORMER 110-A AMPLIFIERS BY OMISSION AND CHANGES IN CONNECTIONS OF CERTAIN APPARATUS AS FOLLOWS:

C8 was shown connected between R11 and C2. C4 and R6 were shown connected between common point of R4 and R5 and GND.

C16 was shown connected between R29 and C9.

C11 and R24 were shown connected between common point of R22 and R23 and GND.

IF DESIRED, THE ABOVE CHANGES MAY EASILY BE MADE IN THE AMPLIFIERS HAVING SERIAL NUMBERS BELOW 301 TO BRING THEM UP TO DATE. THESE CHANGES MAY IN SOME CASES RESULT IN GREATER STABILITY OF OPERATION.