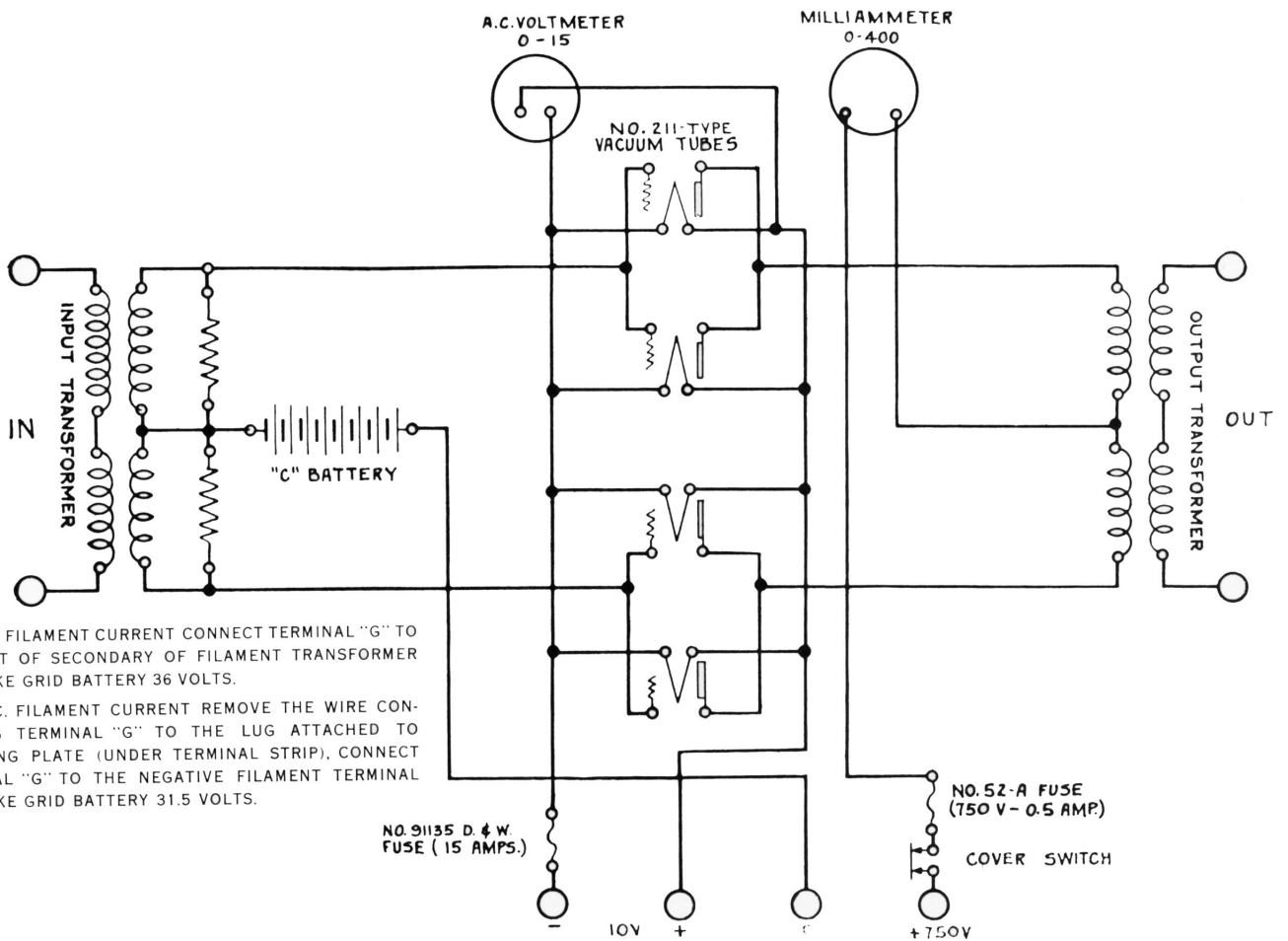
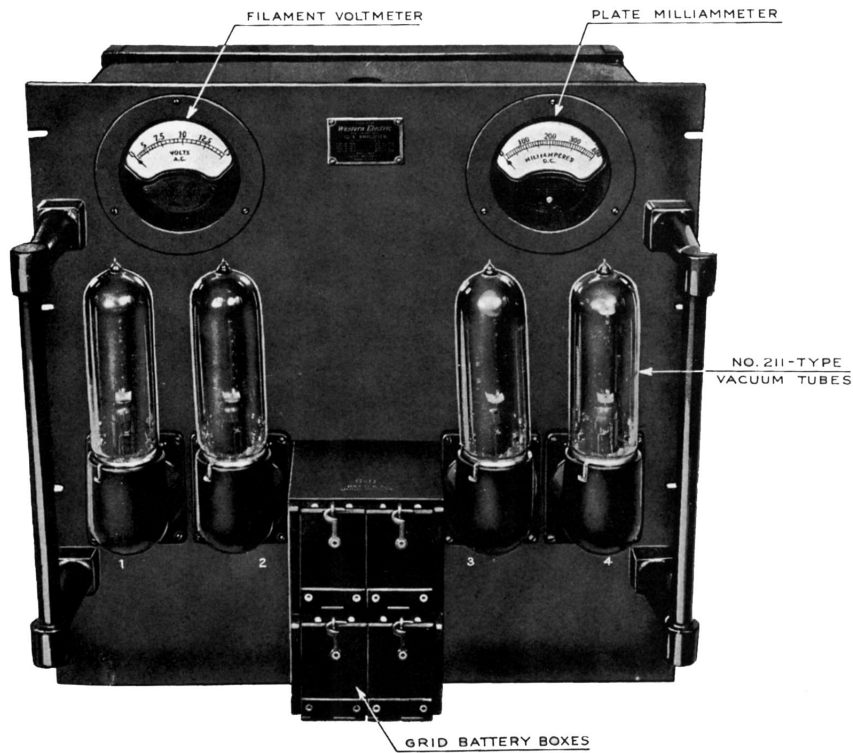


Western Electric Company

No. 10-A AMPLIFIER



FOR A. C. FILAMENT CURRENT CONNECT TERMINAL "G" TO MIDPOINT OF SECONDARY OF FILAMENT TRANSFORMER AND MAKE GRID BATTERY 36 VOLTS.
 FOR D. C. FILAMENT CURRENT REMOVE THE WIRE CONNECTING TERMINAL "G" TO THE LUG ATTACHED TO MOUNTING PLATE (UNDER TERMINAL STRIP). CONNECT TERMINAL "G" TO THE NEGATIVE FILAMENT TERMINAL AND MAKE GRID BATTERY 31.5 VOLTS.

FIG. 2—CIRCUIT DIAGRAM OF NO. 10-A AMPLIFIER