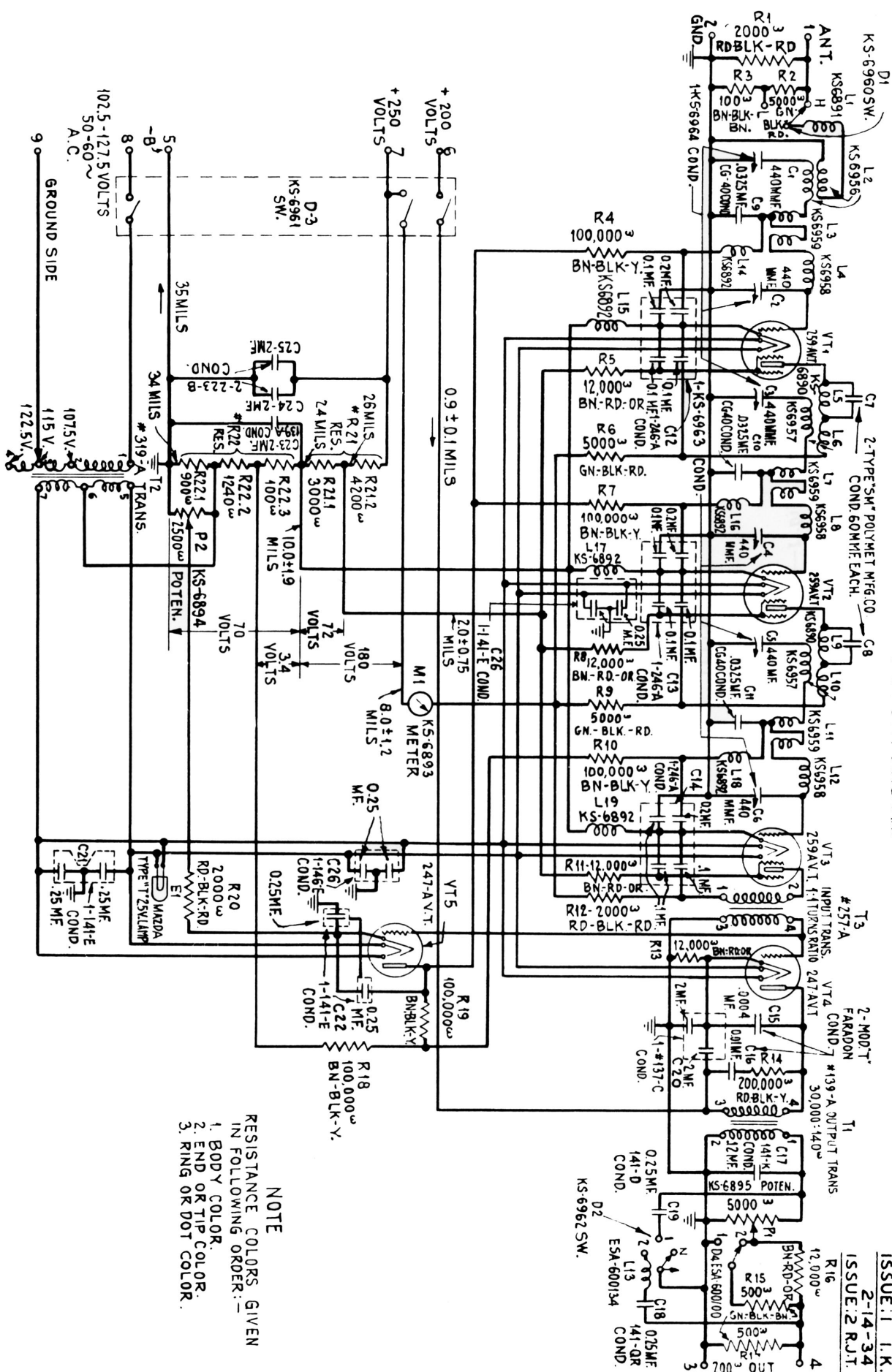


No. 10-A RADIO RECEIVER

BELL TELEPHONE LABORATORIES  
INCORPORATED

10-A RADIO RECEIVER  
SCHEMATIC CIRCUIT DIAGRAM.



NOTE  
RESISTANCE COLORS GIVEN  
IN FOLLOWING ORDER:—  
1. BODY COLOR.  
2. END OR TIP COLOR.  
3. RING OR DOT COLOR.

910-2215  
10-25-32  
ISSUE: 1.1.K.  
2-14-34  
ISSUE: 2.R.J.T.