

The JBL logo is positioned at the top of a black rectangular box. It consists of the letters 'JBL' in a white, bold, sans-serif font, set against a solid orange square background.

Professional Series

APPEARANCE DRAWINGS

SPECIAL DUTY LOUDSPEAKERS / EXTENDED RANGE LOUDSPEAKERS

2105	-----	1
2115A	-----	2
2145A	-----	3
2150	-----	4
2110	-----	5
2120	-----	6
2130	-----	7
2135	-----	8

LOW FREQUENCY LOUDSPEAKERS

2203A	-----	11
2205A	-----	12
2205B	-----	13
2212	-----	
2213	-----	15
2215A	-----	16
2215B	-----	17
2220A	-----	18
2220B	-----	19
2231A	-----	20
2108	-----	23
2121	-----	24
2202A	-----	25
2202B	-----	26

HIGH FREQUENCY DRIVERS

2402	-----	29
2405	-----	30
2410	-----	31
2420	-----	32
2440	-----	33
2460	-----	
2461	-----	35
2470	-----	36
2482	-----	37

HIGH FREQUENCY HORN / LENS ASSEMBLIES

2305	-----	40
2308	-----	41
2307	-----	42
2311	-----	43
2312	-----	44
2310	-----	45
2309	-----	46
2395	-----	47

HIGH FREQUENCY HORNS / HORN ADAPTORS

2340	-----	50
2345	-----	51
2350	-----	52
2355	-----	53
2356	-----	54
2397	-----	55
2327	-----	56
2328	-----	57
2329	-----	58
2330	-----	

FREQUENCY DIVIDING NETWORKS

3105	-----	62
3106	-----	63
3110	-----	64
3115	-----	65
3120	-----	66
3125	-----	67
3152	-----	68
3182	-----	69

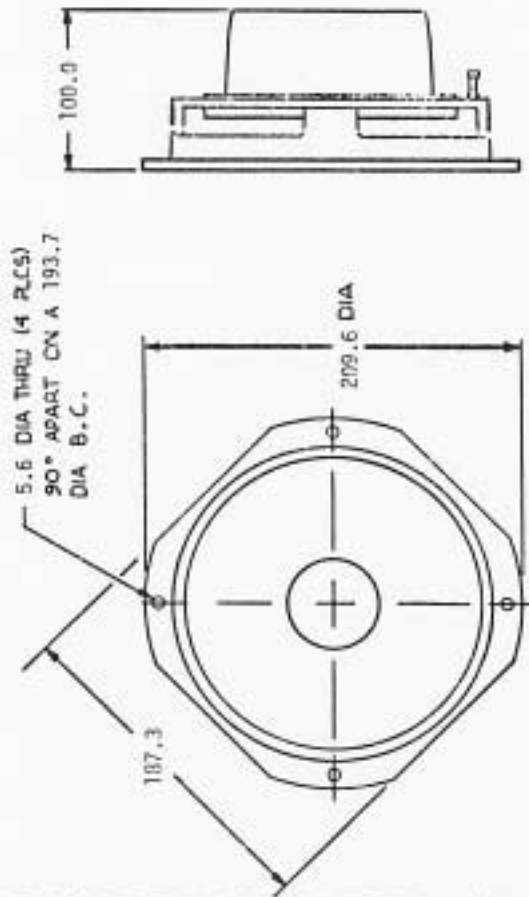
MUSICAL INSTRUMENT LOUDSPEAKERS

K110	-----	72
K120	-----	73
K130	-----	74
K140	-----	75
K145	-----	76
K151	-----	77
2901	-----	80
2902	-----	81

LOW FREQUENCY HORNS

4520BK	-----	84
4530BK	-----	85
4550BKA	-----	86
4560BKA	-----	87

READ INSTRUCTIONS FOR THE PROPER USE OF THIS PRODUCT. SEE THE INSTRUCTIONS FOR THE PROPER USE OF THIS PRODUCT. SEE THE INSTRUCTIONS FOR THE PROPER USE OF THIS PRODUCT.



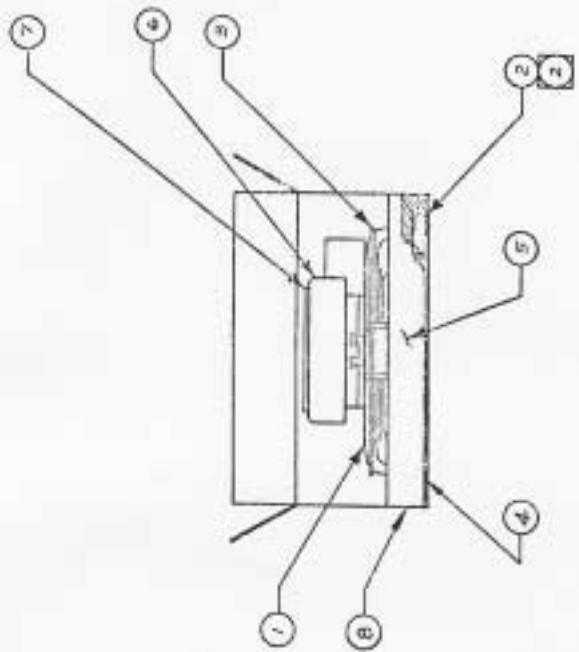
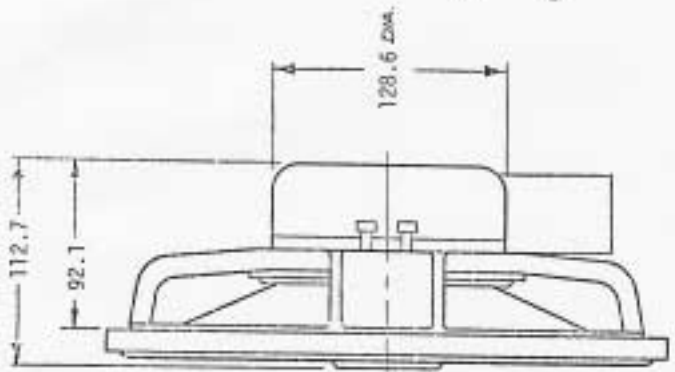
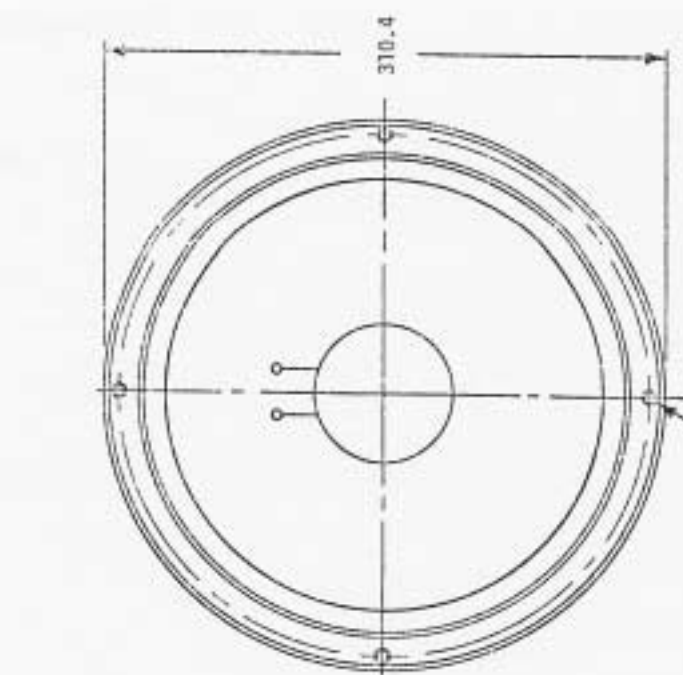
2. BAFFLE HOLE CUTOUT :
FRONT MOUNTING : 179.4 DIA
REAR MOUNTING : 171.5 DIA
1. SEE DRAWING 57476 FOR PACKING INSTRUCTIONS.
NOTES : (UNLESS OTHERWISE SPECIFIED)

ITEM PART NUMBER	DESCRIPTION	QTY	REMARKS
7 52349	CARTON	1	MRD 47303
6 50766	WARRANTY STATEMENT	1	
5 55342	INSTALLATION KIT	1	
4 48549	PAD, EXPANDED POLYSTYRENE	1	
3 21805	PAD, 6 X 6 MICROFOAM	1	
2 21769	GASKET, VINYL	1	
1 54163	MFD ITEM	1	

JILL OF MATERIAL

DATE	BY	REV	DESCRIPTION
1975-03-27	JILL	1	SALES MODEL 2115A
1975-03-27	JILL	2	SALES MODEL 2115A
1975-03-27	JILL	3	SALES MODEL 2115A
1975-03-27	JILL	4	SALES MODEL 2115A
1975-03-27	JILL	5	SALES MODEL 2115A
1975-03-27	JILL	6	SALES MODEL 2115A
1975-03-27	JILL	7	SALES MODEL 2115A
1975-03-27	JILL	8	SALES MODEL 2115A
1975-03-27	JILL	9	SALES MODEL 2115A
1975-03-27	JILL	10	SALES MODEL 2115A

THESE DRAWINGS AND SPECIFICATIONS ARE THE PROPERTY OF AMES & JACOBS ENGINEERS, INC. ANY REPRODUCTION OR TRANSMISSION OF THIS INFORMATION WITHOUT THE WRITTEN PERMISSION OF AMES & JACOBS ENGINEERS, INC. IS PROHIBITED.



3. RUBBER STAMP MODEL NO. IN SPACE PROVIDED, ON CARTON.
- 2 TAPE ITEM 2 TO INSIDE OF CAVITY OF ITEM 5 APPROX. AS SHOWN.
1. BANGLE HOLE CUTOUT TO BE 281.0 DIA.

NOTES: (UNLESS OTHERWISE SPECIFIED)

ITEM	PART NO.	DESCRIPTION	QTY	REMARKS
1	55318	AMPD ITEM, 2145 A	1	
2	57040	INSTALLATION KIT	1	
3	20253	GASKET, VINYL	1	
4	50766	WARRANTY	1	
5	95318	PAD, POLYSTYRENE	1	
6	34522	PAD, POLYSTYRENE	1	
7	21805	PAD	1	
8	34036	CARTON	1	MRD 47103

BILL OF MATERIAL

DATE: 10/27/77
 DRAWN BY: J. J. ...
 CHECKED BY: ...
 APPROVED BY: ...

SALES MODEL, 2145 A

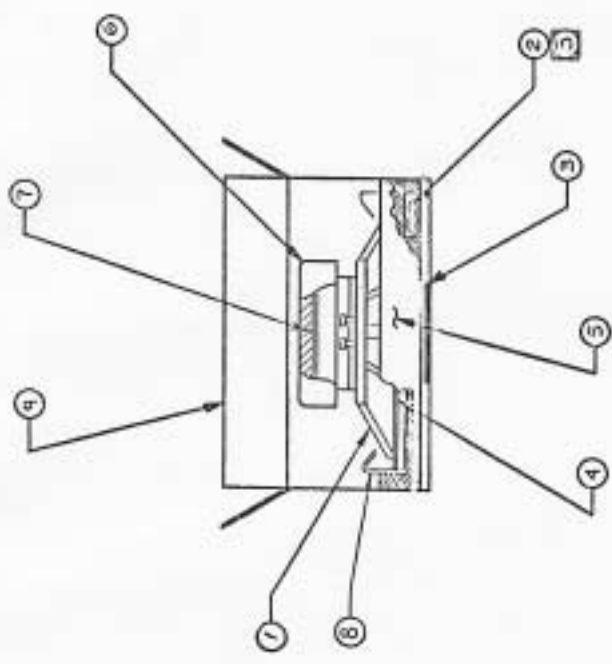
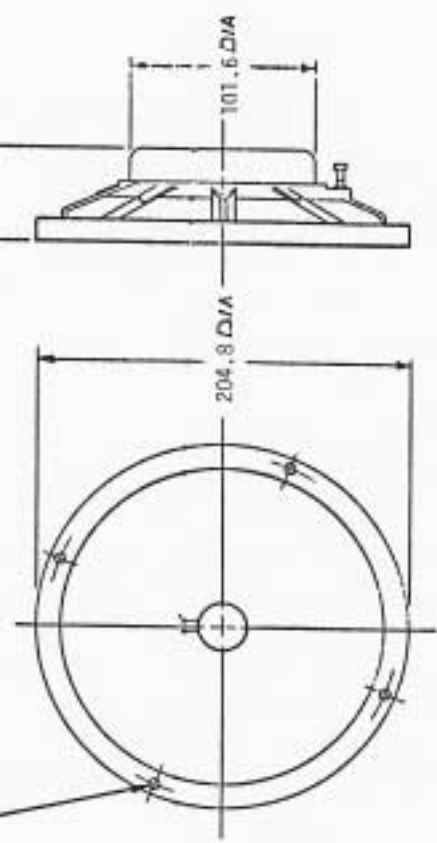
DATE: 10/27/77
 TIME: 3:59:19
 BY: C

NO.	REV.	BY	DATE	DESCRIPTION
1	1	J. J.	10/27/77	ISSUE FOR PRODUCTION

NOTE: DIMENSIONS AND TOLERANCES ARE THE PROPERTY OF GAF. A COPY OF THESE DIMENSIONS AND TOLERANCES IS BEING FURNISHED TO YOU FOR YOUR INFORMATION. THIS IS NOT TO BE USED AS A BASIS FOR THE DESIGN OF ANY OTHER PRODUCT.

NOTICE
 THE FOLLOWING DIMENSIONS ARE OUTSTANDING. ADJUST THIS DRAWING.

5.6 DIA THRU (4 PLCS)
 90° APART DIA A 193.7 DIA B.C.



9	52349	CARTON	1	MFD 47303
8	33553	PACKAGING	1	
7	21805	PAD	1	
6	34823	PAD, EXPANDED POLYSTYRENE	1	
5	48569	PAD, EXPANDED POLYSTYRENE	1	
4	52671	GASKET, CHIPBOARD	1	
3	50766	WARRANTY STATEMENT	1	
2	57532	INSTALLATION KIT	1	MFD 55344
1	54990	MFD ITEM 2110	1	
ITEM PART NUMBER		DESCRIPTION	QTY	REMARKS

BILL OF MATERIAL

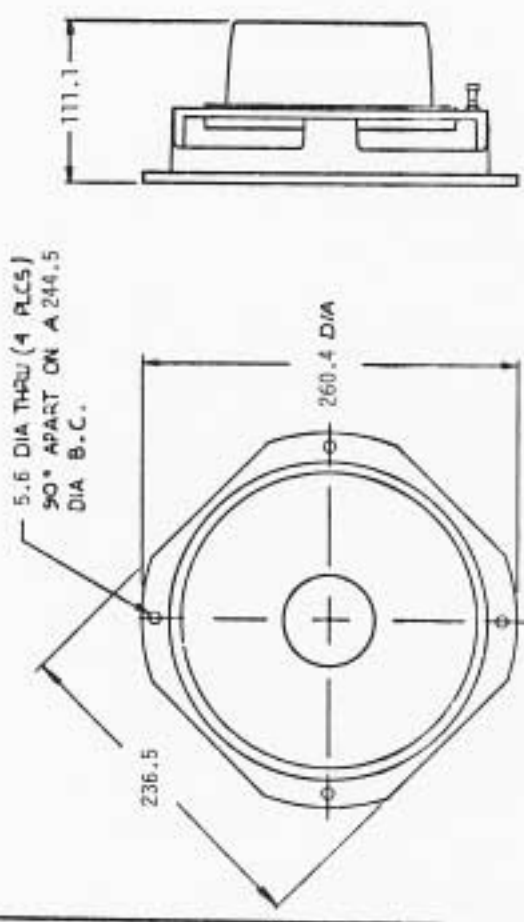
SALES MODEL - 2110

DATE: 3-29-67

BY: [Signature]

- 1. TAPE ITEM 2 TO INSIDE OF CAVITY OF ITEM 5 APPROX. AS SHOWN.
 - 2. RUBBER STAMP MODEL NO. IN SPACE PROVIDED ON CARTON.
 - 4. BAFFLE HOLE CUTOUT TO BE 179.4 DIA.
- NOTES: (UNLESS OTHERWISE SPECIFIED)

THIS DRAWING IS UNCLASSIFIED ON THE AUTHORITY OF THE NATIONAL ARCHIVES ON 08-22-2013
 THE INFORMATION IS PUBLIC DOMAIN THROUGH THE NATIONAL ARCHIVES



2. BAFFLE HOLE CUTOUT:
 FRONT MOUNT 228.6 DIA,
 REAR MOUNT - 222.3 DIA.

1. SEE DRAWING 57476 FOR PACKING INSTRUCTIONS.

NOTES: (UNLESS OTHERWISE SPECIFIED)

ITEM	PART NUMBER	DESCRIPTION	QTY	REMARKS
11	12867	CARTON, FILLER PAD	1	
10	34096	CARTON	1	47303
9	50776	PRODUCT BULLETIN	1	
8	35318	PAD, POLYSTYRENE 12"	1	
7	—	—	—	—
6	—	—	—	—
5	—	—	—	—
4	50766	WARRANTY STATEMENT	1	
3	21770	GASKET, VINYL	1	
2	55342	INSTALLATION KIT	1	55344
1	35215	MFD ITEM	1	

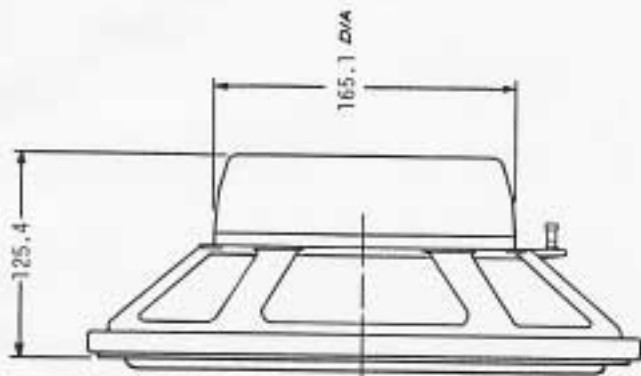
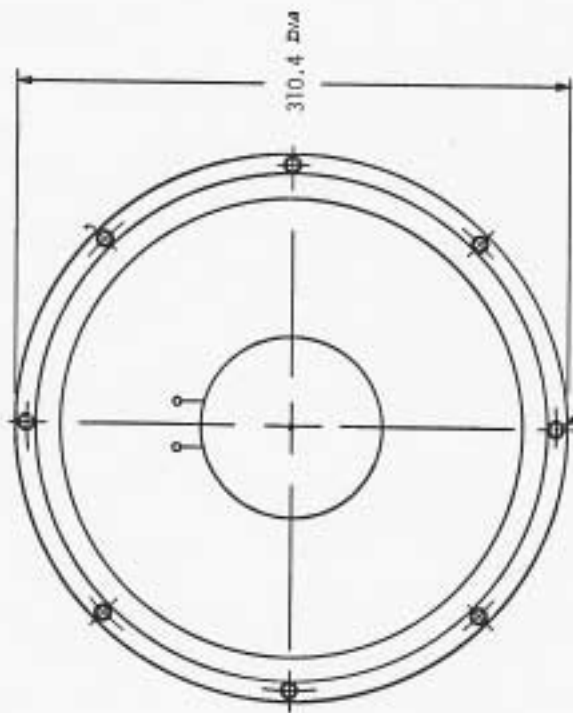
BILL OF MATERIAL

SALES MODEL, 2120

35216

6

THIS DRAWING AND SPECIFICATIONS ARE THE PROPERTY OF JAMES H. LAMSON MOWER CO. ANY REPRODUCTION OR TRANSMISSION OF THIS DRAWING OR SPECIFICATIONS WITHOUT THE WRITTEN PERMISSION OF JAMES H. LAMSON MOWER CO. IS PROHIBITED.



6.8 DIA THRU, C/SORE 7.9 DIA (8 PLS)
45° PART ON A 233.7 DIA B.C.

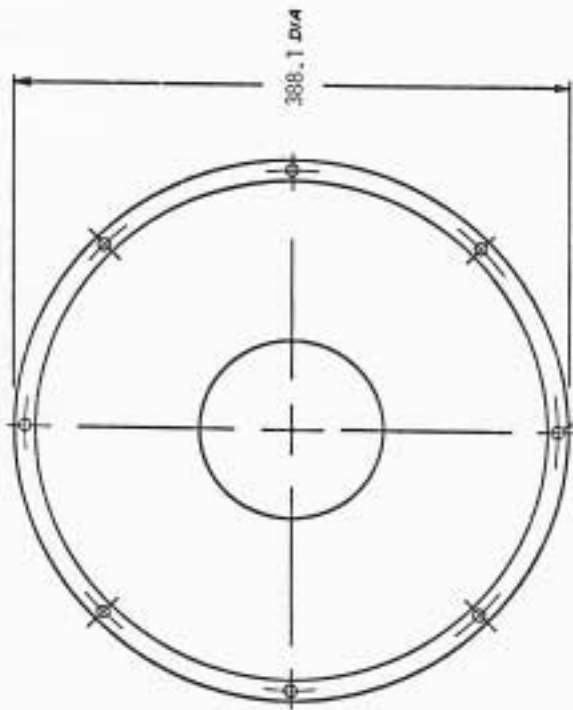
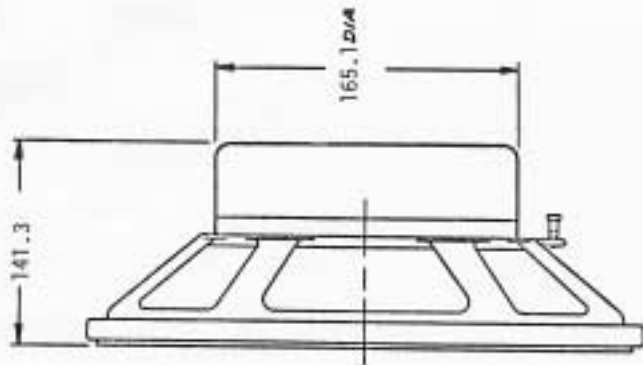
2. BAFFLE HOLE CUTOUT TO BE 281.0 DIA.
1. SEE DRAWING 57476 FOR PACKING INSTRUCTIONS.
NOTES: (UNLESS OTHERWISE SPECIFIED).

ITEM PART NUMBER	DESCRIPTION	QTY	REMARKS
7 54096	CARTON	1	MFD 47503
6 21805	PAD	1	
5 35310	PAD - EXPANDED POLYSTYRENE	1	
4 50766	WARRANTY STATEMENT	1	
3 20253	GASKET, VINYL	1	
2 55341	INSTALLATION KIT	1	MFD 55344
1 53360	MFD ITEM	1	

BILL OF MATERIAL

JAMES H. LAMSON MOWER CO.
 1000 W. 10TH ST., ST. LOUIS, MO. 63103
 PHONE 314-241-1000
 FAX 314-241-1001
 SALES MODEL: 2203A
 DATE: 5/3/87
 BY: [Signature]
 CHECK NO.: [Blank]
 AMOUNT: [Blank]
 BALANCE: [Blank]
 TOTAL: [Blank]

THIS DRAWING AND SPECIFICATIONS ARE THE PROPERTY OF LITTON & LARSON ENGINEERING CO. ANY REPRODUCTION OR TRANSMISSION OF THIS DRAWING OR SPECIFICATIONS WITHOUT THE WRITTEN PERMISSION OF LITTON & LARSON ENGINEERING CO. IS PROHIBITED.



7.1 DIA THRU (Ø PLCS)
45° APART ON A 370.0 DIA B.C.

2. BAFFLE HOLE CUTOUT:

FRONT MOUNT - 354.8 DIA.

REAR MOUNT - 342.9 DIA.

1. SEE DRAWING 57476 FOR PACKING INSTRUCTIONS.

NOTES: (UNLESS OTHERWISE SPECIFIED).

ITEM	PART NO.	DESCRIPTION	QTY	REMARKS
7	55452	CARTON	1	MKD 47303
8	21803	PAD	1	
9	34940	RAD-EXPANDED POLYSTYRENE	1	
4	50766	WARRANTY STATEMENT	1	
3	34499	GASKET, VINYL	1	
2	55360	INSTALLATION KIT	1	MKD 55344
1	35166	MFD ITEM	1	
ITEM PART NO.		DESCRIPTION	QTY	REMARKS

BILL OF MATERIAL

SALES MODEL: 2205A

DATE: 3/16/66

BY: [Signature]

REVISED & REDRAWN

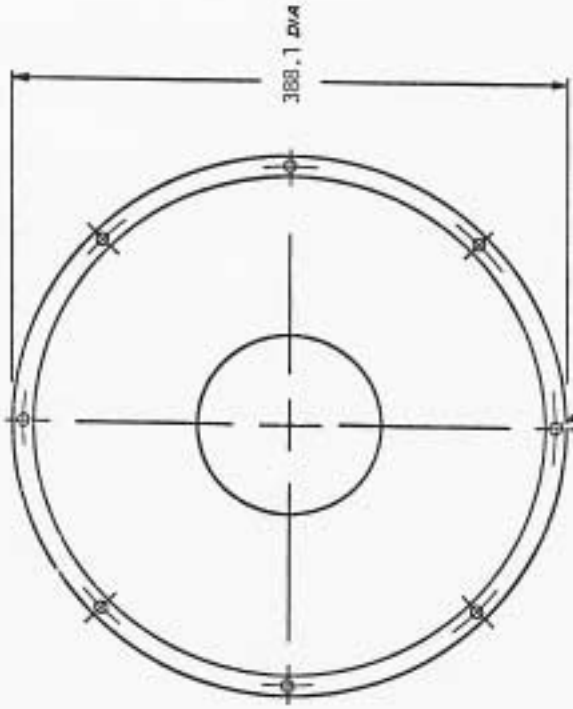
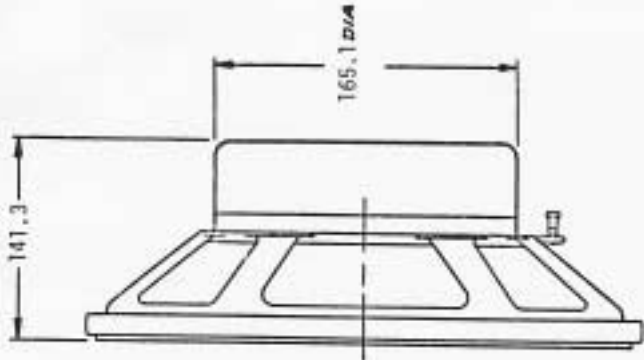
DATE: 3/16/67

BY: [Signature]

DATE: 3/16/67

BY: [Signature]

THIS DRAWING IS THE PROPERTY OF THE COMPANY AND IS NOT TO BE REPRODUCED OR TRANSMITTED IN ANY FORM OR BY ANY MEANS, ELECTRONIC OR MECHANICAL, INCLUDING PHOTOCOPYING, RECORDING, OR BY ANY INFORMATION STORAGE AND RETRIEVAL SYSTEM.



7.1 DIA THRU (8 PLCS)
45° APART ON A 370.0 DIA Ø.C.

2. BAFFLE HOLE CUTOUT:

FRONT MOUNT - 354.8 DIA.

REAR MOUNT - 302.9 DIA.

1. SEE DRAWING STMTG FOR PACKING INSTRUCTIONS.

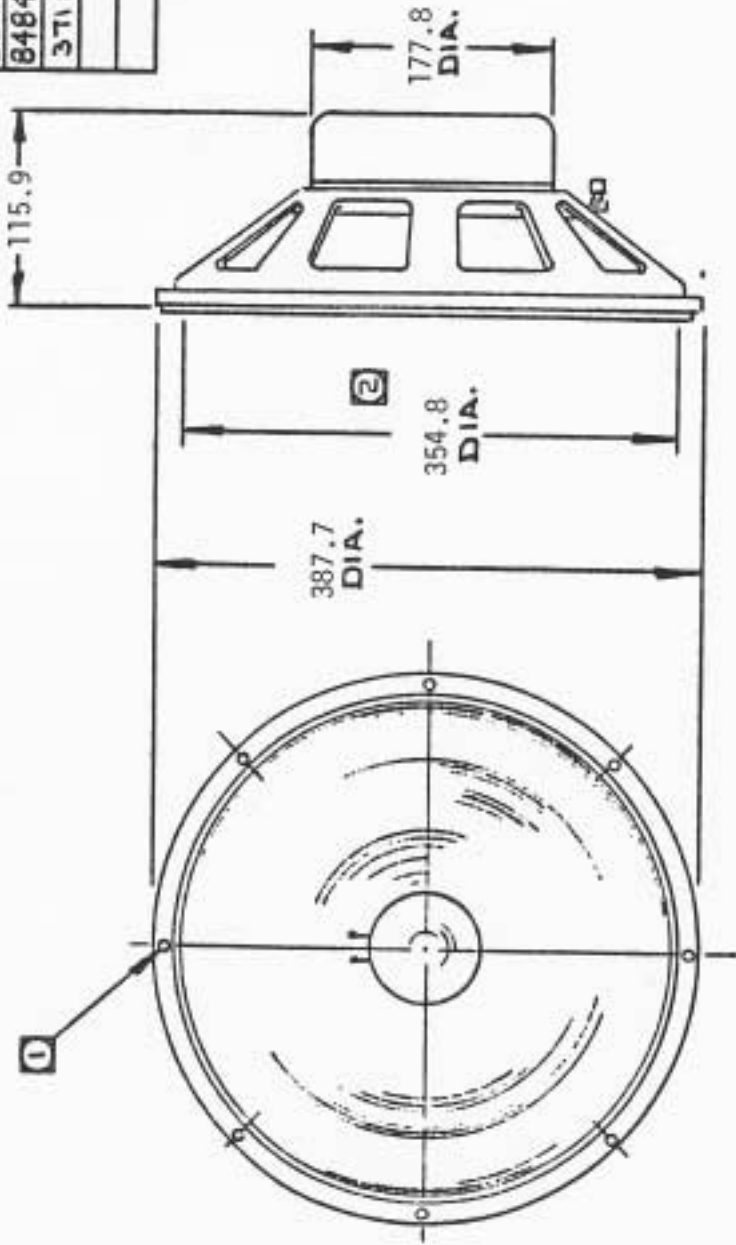
NOTES: (UNLESS OTHERWISE SPECIFIED).

ITEM	PART NO.	DESCRIPTION	QTY	REMARKS
7	35452	CARTON	1	MRD 47303
6	21805	PAD	1	
5	34940	PAD - EXPANDED POLYSTYRENE	1	
4	50763	WARRANTY STATEMENT	1	
3	34477	GASKET, VINYL	1	
2	55340	INSTALLATION KIT	1	MRD 55346
1	35168	MRD ITEM	1	

BILL OF MATERIAL

SALES MODEL, 2205B
 DATE: 3/1/79
 BY: [Signature]
 CHECKED: [Signature]
 APPROVED: [Signature]
 PART NO: 35168
 QTY: 1
 UNIT: EACH
 DRAWN BY: [Signature]
 DATE: 1/1/79
 CHECKED BY: [Signature]
 APPROVED BY: [Signature]

THESE DRAWINGS AND SPECIFICATIONS ARE THE PROPERTY OF JAMES B. LANSING SOUND INC. THEY ARE ISSUED IN STRICT CONFIDENCE AND SHALL NOT BE REPRODUCED, COPIED, OR USED AS THE BASIS FOR MANUFACTURE OR SALE OF APPARATUS WITHOUT PERMISSION.



- NOTE:
- [1] 7.1 DIA. -- 8 HOLES ON 369.9 B.C. @ 45° APART.
 - [2] 354.8 DIA. BAFFLE HOLE CUTOUT FRONT OR REAR MOUNTING.
 - [3] LITERATURE IN CARTON TO INCLUDE 50501 WARRANTY CARD

REVISIONS

ECH	LET.	CHANGE	DATE	BY
8285	A	REL. TO PROD.	2-72	SL
8484	B	PER ECN	3/72	SL
3710	C	DELETE P/A 35253 B	7/76	SL

PART NO. QTY. DESCRIPTION

48896	1	MFD. ITEM
34940	1	POLYSTYRENE 15" PAD
35452	1	CARTON MRD 47303
21754	8	#10-32 X 1" SCREW, FIL. HD. PH.
21955	8	T-NUT, 10-32 X 33/64" STEEL, BLK. OXIDE

V.C. DC RESISTANCE: 5.70 OHMS NOM. ± .50Ω
 LABELLED IMPEDANCE: 8 OHMS
 COLOR: PROFESSIONAL GRAY
 LOW-FREQ. SPEAKER

DECIMALS		FRACTIONS		ANGULAR	
.XX ± .01	.XX ± .005	X/X ± 1/32	±	±	±
TIR	MATERIAL	TREATMENT	MACHINE FINISH	DO NOT SCALE DRAWING	
—	—	—	V	—	
QTY MODEL	NEXT DWG	APPLICATION			
—	—	—			

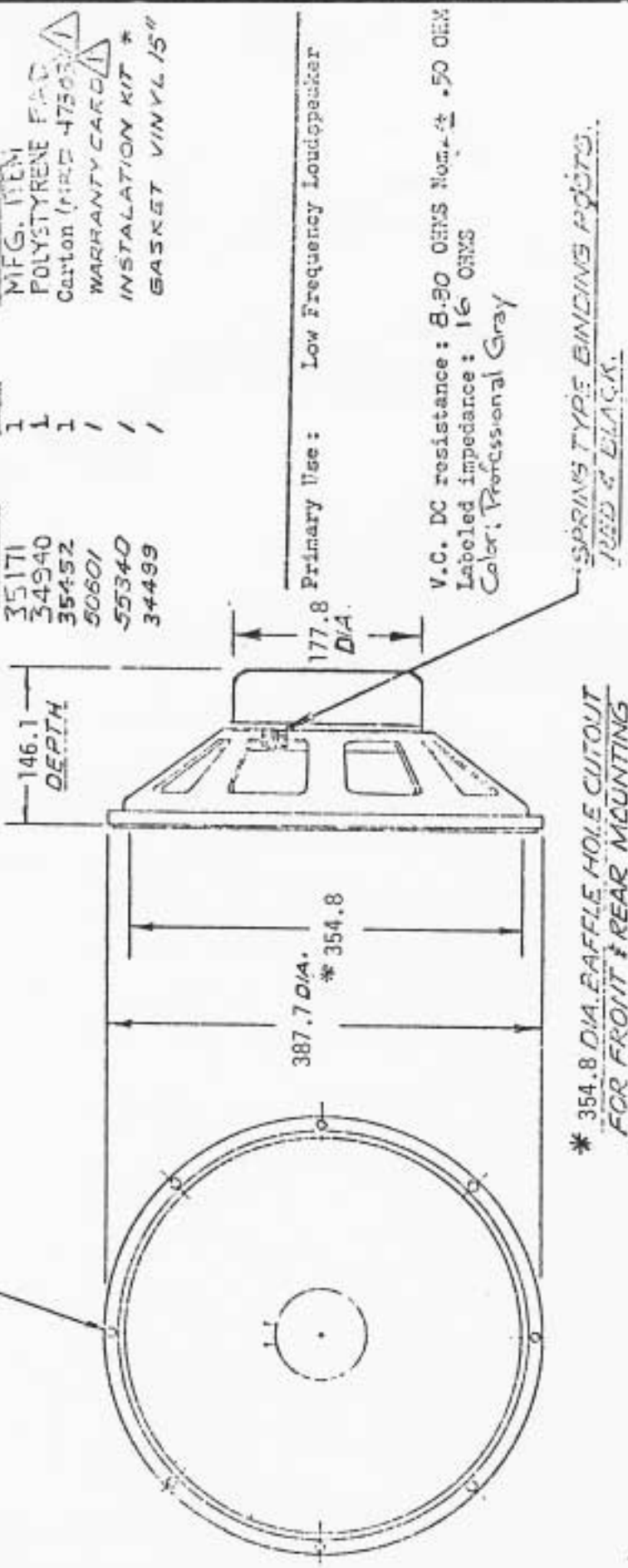
DRAWN: MTZ	2-1-72	CHECK: [Signature]	DESIGN: [Signature]	ENGR: [Signature]	APPR: [Signature]
TITLE: SALES MODEL--2215A					
SIZE	A	SALES MODEL DWG.	DRAWING NUMBER	48857	REV
SCALE	—	WEIGHT	—	SHEET	1 OF 1

371 B E DELETE 7/4 352538
 377 B F REV. PER D.C.N.

REVISIONS		CHANGE	DATE
ICITE	LET.		
ECN 7590	A	REL: FOR FEED.	1-19-70
7797	B	FRONT MTS. HOLE CUTOUT (13 3/4" DIA.) 1 1/4"	5/12/72
8285	C	PER ECN	5/12/72
8484	D	PER ECN	11/12/72

7.1 DIA. THRU - 8 HOLES
 ON 369.9 DIA. R.C. - 45° APART

PART NO.	QTY.	DESCRIPTION
35171	1	MFG. ITEM
34940	1	POLYSTYRENE F.A.C.
35452	1	Carton (PART #7503)
50601	1	WARRANTY CARD
55340	1	INSTALLATION KIT *
34499	1	GASKET VINYL 15"



* 354.8 DIA. RAFFLE HOLE CUTOUT FOR FRONT & REAR MOUNTING

LITERATURE INCLUDED IN CARTON.

TOLERANCES UNLESS NOTED	MATERIAL
.000 ± .010	
.00 ± .020	
FRACT. ± .005	TREATMENT
ANGULAR ± 1.32	FINISH
DIMENSIONS IN INCHES	
SCALE	
WEIGHT	

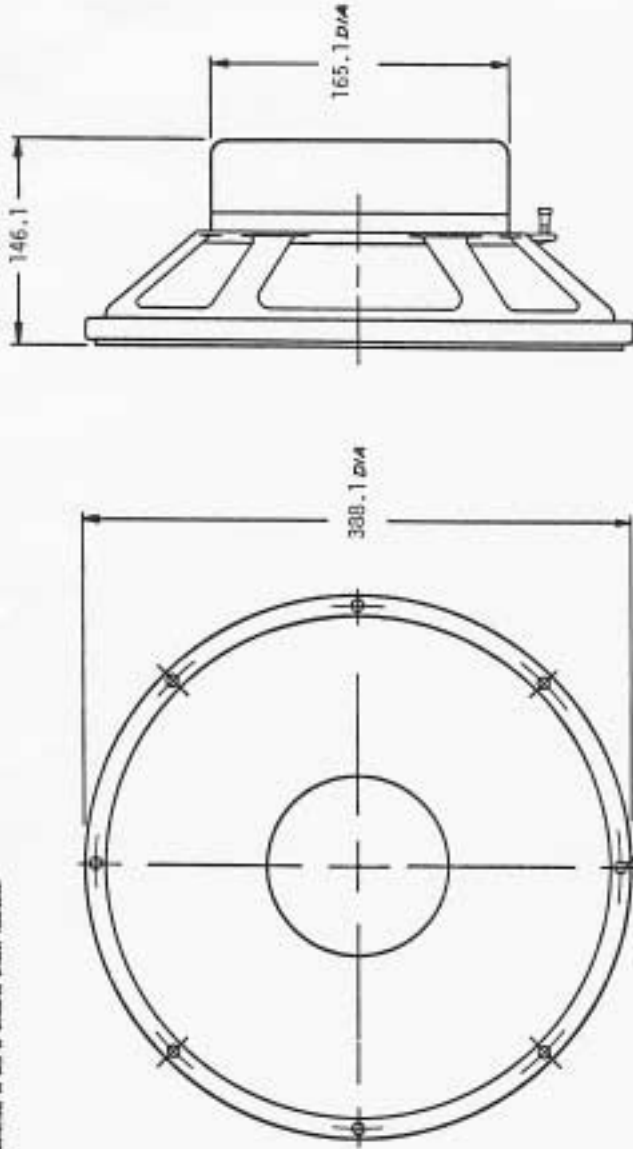
G. TULLY	R7J	1-28-70	APPROVED
10-10-69	CHECKER	1-28-70	APPROVED
DRAPPSMAN	CHECKER		

SALES MODEL 2215B

SALES MODEL 2215B	
35172	F
DRAWING NUMBER	

JAMES B. LANSING SOUND, INC.
 3249 CASITAS AVE.
 LOS ANGELES 39, CALIFORNIA

THIS DRAWING AND SPECIFICATIONS ARE THE PROPERTY OF ARMO & COMPANY. BEFORE THE
 PART OR PORTION OF THIS DRAWING AND SPECIFICATIONS ARE REPRODUCED, COPIED OR
 USED FOR ANY OTHER PURPOSE WITHOUT THE WRITTEN PERMISSION OF ARMO & COMPANY.



7.1 DIA THRU (8 PLCS)
 APART ON A 369.9 DIA B.C.

2. BAFFLE HOLE CUTOUT:
 FRONT MOUNT - 354.8 DIA.
 REAR MOUNT - 342.9 DIA.

1. SEE DRAWING 57476 FOR PACKING INSTRUCTIONS.

NOTES: (UNLESS OTHERWISE SPECIFIED)

ITEM	PART NO.	DESCRIPTION	QTY	REMARKS
6	35482	CARTON	1	MRD 47303
5	21835	PAD	1	
4	34940	PAO - EXPANDED POLYSTYRENE	1	
3	50769	WARRANTY STATEMENT	1	
2	55340	INSTALLATION KIT	1	MRD 55344
1	50597	MFD ITEM	1	

BILL OF MATERIAL

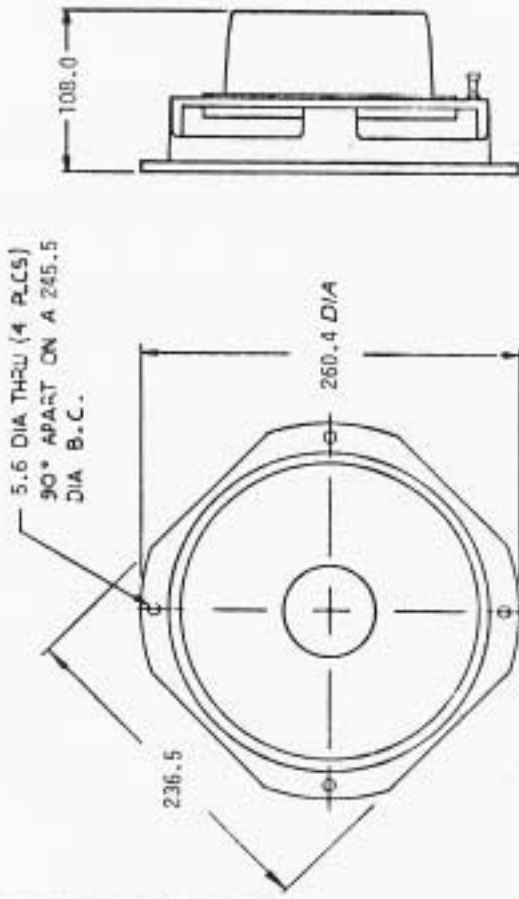
THIS DRAWING IS THE PROPERTY OF ARMO & COMPANY. BEFORE THE PART OR PORTION OF THIS DRAWING AND SPECIFICATIONS ARE REPRODUCED, COPIED OR USED FOR ANY OTHER PURPOSE WITHOUT THE WRITTEN PERMISSION OF ARMO & COMPANY.

DATE: 11/15/75
 DRAWN BY: J. J. [unclear]
 CHECKED BY: [unclear]
 APPROVED BY: [unclear]

SALES MODEL: 2220A

ORDER NO: 38605
 QUANTITY: 1
 DATE: 11/15/75

THIS DRAWING IS THE PROPERTY OF THE COMPANY AND IS NOT TO BE REPRODUCED OR TRANSMITTED IN ANY FORM OR BY ANY MEANS, ELECTRONIC OR MECHANICAL, INCLUDING PHOTOCOPYING, RECORDING, OR BY ANY INFORMATION STORAGE AND RETRIEVAL SYSTEM, WITHOUT THE WRITTEN PERMISSION OF THE COMPANY.



3. —
2. BAFFLE HOLE CUTOUT:
FRONT MOUNT 228.6 DIA,
REAR MOUNT - 222.3 DIA.

1. SEE DRAWING 57476 FOR PACKING INSTRUCTIONS
NOTES: (UNLESS OTHERWISE SPECIFIED)

ITEM NUMBER	DESCRIPTION	QTY	REMARKS
10	12867 CARTON, FILLER PAD	1	
9	34096 CARTON	1	47303
8	35318 PAD, POLYSTYRENE 12"	1	
7	—		
6	—		
5	—		
4	50765 WARRANTY STATEMENT	1	
3	21770 GASKET, VINYL	1	
2	55342 INSTALLATION KIT	1	55344
1	52549 MED ITEM	1	

BILL OF MATERIAL

SALES MODEL 2121

DATE: _____

BY: _____

FOR: _____

APPROVED: _____

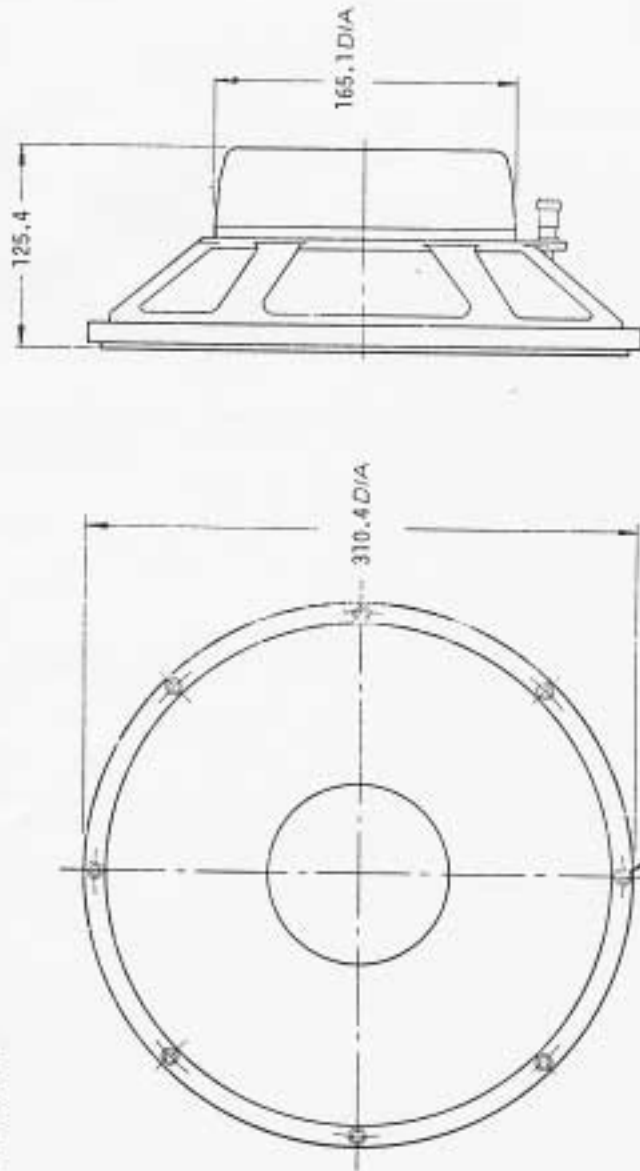
REVISIONS:

NO.	DATE	DESCRIPTION

THIS DRAWING AND SPECIFICATION ARE THE PROPERTY OF ARCELORMITTAL. ANY REPRODUCTION OR USE OF THIS DRAWING OR SPECIFICATION IN ANY MANNER WITHOUT THE WRITTEN PERMISSION OF ARCELORMITTAL IS PROHIBITED.

NOTICE

THE FOLLOWING
 POINTS ARE
 OUTSTANDING
 AS TO THIS
 DRAWING:



6.8 DIA THRU, C-BORE 7.9 DIA (8 PLCS)
 45° APART ON A 293.7 DIA B.C.

2. BAFFLE HOLE CUTOUT TO BE 281.0 DIA.

1. SEE DRAWING 57476 FOR PACKING INSTRUCTION.

NOTES: (UNLESS OTHERWISE SPECIFIED)

ITEM	PART NO	DESCRIPTION	QTY	REMARKS
7	34086	CARTON	1	MRD 47303
6	21605	PAD	1	
5	35318	FAD, EXPANDED POLYSTYRENE	1	
4	50766	WARRANTY STATEMENT	1	
3	20253	GASKET, VINYL	1	
2	55341	INSTALLATION KIT	1	MRD 55344
1	57934	MFD ITEM	1	

BILL OF MATERIAL

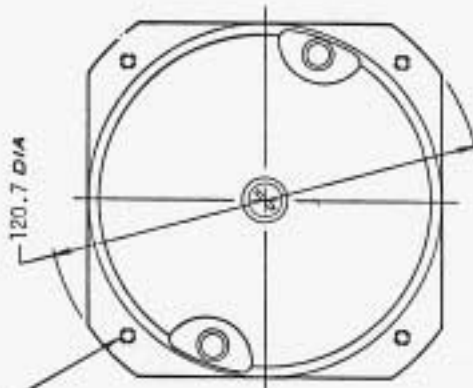
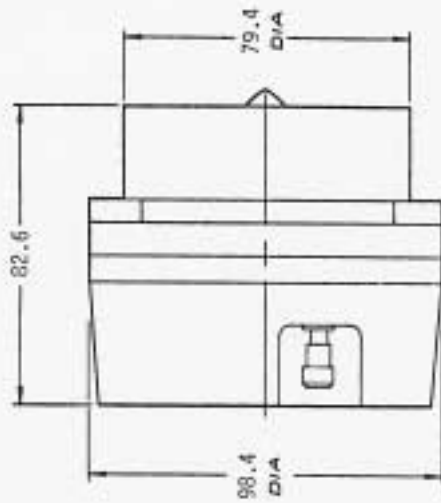
DATE: 11/11/11	BY: [Signature]	SALES MODEL: 2202 B
REV: 1	DATE: 11/11/11	BY: [Signature]
REV: 2	DATE: 11/11/11	BY: [Signature]
REV: 3	DATE: 11/11/11	BY: [Signature]
REV: 4	DATE: 11/11/11	BY: [Signature]
REV: 5	DATE: 11/11/11	BY: [Signature]
REV: 6	DATE: 11/11/11	BY: [Signature]
REV: 7	DATE: 11/11/11	BY: [Signature]
REV: 8	DATE: 11/11/11	BY: [Signature]
REV: 9	DATE: 11/11/11	BY: [Signature]
REV: 10	DATE: 11/11/11	BY: [Signature]
REV: 11	DATE: 11/11/11	BY: [Signature]
REV: 12	DATE: 11/11/11	BY: [Signature]
REV: 13	DATE: 11/11/11	BY: [Signature]
REV: 14	DATE: 11/11/11	BY: [Signature]
REV: 15	DATE: 11/11/11	BY: [Signature]
REV: 16	DATE: 11/11/11	BY: [Signature]
REV: 17	DATE: 11/11/11	BY: [Signature]
REV: 18	DATE: 11/11/11	BY: [Signature]
REV: 19	DATE: 11/11/11	BY: [Signature]
REV: 20	DATE: 11/11/11	BY: [Signature]
REV: 21	DATE: 11/11/11	BY: [Signature]
REV: 22	DATE: 11/11/11	BY: [Signature]
REV: 23	DATE: 11/11/11	BY: [Signature]
REV: 24	DATE: 11/11/11	BY: [Signature]
REV: 25	DATE: 11/11/11	BY: [Signature]
REV: 26	DATE: 11/11/11	BY: [Signature]
REV: 27	DATE: 11/11/11	BY: [Signature]
REV: 28	DATE: 11/11/11	BY: [Signature]
REV: 29	DATE: 11/11/11	BY: [Signature]
REV: 30	DATE: 11/11/11	BY: [Signature]
REV: 31	DATE: 11/11/11	BY: [Signature]
REV: 32	DATE: 11/11/11	BY: [Signature]
REV: 33	DATE: 11/11/11	BY: [Signature]
REV: 34	DATE: 11/11/11	BY: [Signature]
REV: 35	DATE: 11/11/11	BY: [Signature]
REV: 36	DATE: 11/11/11	BY: [Signature]
REV: 37	DATE: 11/11/11	BY: [Signature]
REV: 38	DATE: 11/11/11	BY: [Signature]
REV: 39	DATE: 11/11/11	BY: [Signature]
REV: 40	DATE: 11/11/11	BY: [Signature]
REV: 41	DATE: 11/11/11	BY: [Signature]
REV: 42	DATE: 11/11/11	BY: [Signature]
REV: 43	DATE: 11/11/11	BY: [Signature]
REV: 44	DATE: 11/11/11	BY: [Signature]
REV: 45	DATE: 11/11/11	BY: [Signature]
REV: 46	DATE: 11/11/11	BY: [Signature]
REV: 47	DATE: 11/11/11	BY: [Signature]
REV: 48	DATE: 11/11/11	BY: [Signature]
REV: 49	DATE: 11/11/11	BY: [Signature]
REV: 50	DATE: 11/11/11	BY: [Signature]

1. SEE DRAWING FOR DIMENSIONS AND MATERIALS. ALL DIMENSIONS ARE IN MILLIMETERS UNLESS OTHERWISE SPECIFIED.

NOTICE
THE FOLLOWING
DCR'S ARE
OUTSTANDING
AGAINST THIS
DRAWING.

1. 8-32 THD THRU (4 PLCS)
TO APART ON A 108.0 DIA B.C.

120.7 DIA



54817

ITEM	PART NO.	DESCRIPTION	QTY	REMARKS
6	57072	CARTON	1	MKD 47303
7	47311-02	CONTAINER, BOTTOM	2	
8	27988	BAG, POLYETHYLENE	1	
9	50766	WARRANTY STATEMENT	1	
4	54826	BASKET, CORK	1	
3	57795	GASKET, VINYL	1	
2	57495	INSTALLATION KIT	1	MKD 55344
1	54816	MFD ITEM, 2402	1	

BILL OF MATERIAL

SALES MODEL, 2402

DATE: 10/1/73

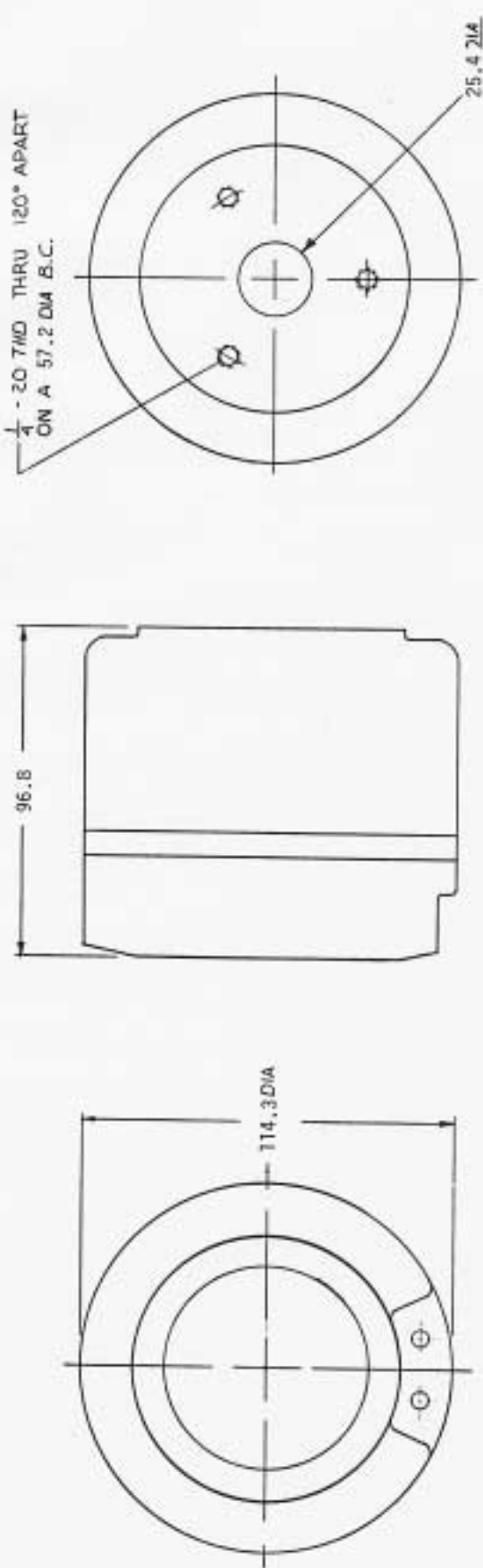
BY: [Signature]

REV: 1

54817

2. PLACE ITEM 1 INTO ITEM 6.
1. SEE DRAWING 57315 FOR PACKING INSTRUCTIONS.
NOTES: (UNLESS OTHERWISE SPECIFIED)

THIS DRAWING AND SPECIFICATIONS ARE THE PROPERTY OF LAMAR & LARSON ENGINE CO. ANY REUSE OR REPRODUCTION OF THIS DRAWING OR SPECIFICATIONS WITHOUT THE WRITTEN PERMISSION OF LAMAR & LARSON ENGINE CO. IS PROHIBITED.



5	32161	CARTON	1	MRD 47303
4	34323	PAD, EXPANDED POLYSTYRENE	2	
3	50766	WARRANTY STATEMENT	1	
2	57534	INSTALLATION KIT	1	MRD 55344
1	35065	MFD ITEM	1	
ITEM PART NUMBER		DESCRIPTION	QTY	REMARKS

SALES MODEL - 2410

DATE: 01/13/73

BY: J. J. JAMES

FOR: J. J. JAMES

FILE: 01/13/73

NO. 1

NO. 2

NO. 3

NO. 4

NO. 5

NO. 6

NO. 7

NO. 8

NO. 9

NO. 10

NO. 11

NO. 12

NO. 13

NO. 14

NO. 15

NO. 16

NO. 17

NO. 18

NO. 19

NO. 20

NO. 21

NO. 22

NO. 23

NO. 24

NO. 25

NO. 26

NO. 27

NO. 28

NO. 29

NO. 30

NO. 31

NO. 32

NO. 33

NO. 34

NO. 35

NO. 36

NO. 37

NO. 38

NO. 39

NO. 40

NO. 41

NO. 42

NO. 43

NO. 44

NO. 45

NO. 46

NO. 47

NO. 48

NO. 49

NO. 50

NO. 51

NO. 52

NO. 53

NO. 54

NO. 55

NO. 56

NO. 57

NO. 58

NO. 59

NO. 60

NO. 61

NO. 62

NO. 63

NO. 64

NO. 65

NO. 66

NO. 67

NO. 68

NO. 69

NO. 70

NO. 71

NO. 72

NO. 73

NO. 74

NO. 75

NO. 76

NO. 77

NO. 78

NO. 79

NO. 80

NO. 81

NO. 82

NO. 83

NO. 84

NO. 85

NO. 86

NO. 87

NO. 88

NO. 89

NO. 90

NO. 91

NO. 92

NO. 93

NO. 94

NO. 95

NO. 96

NO. 97

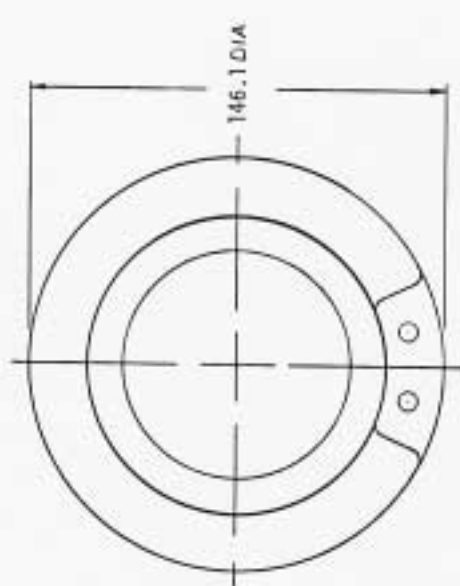
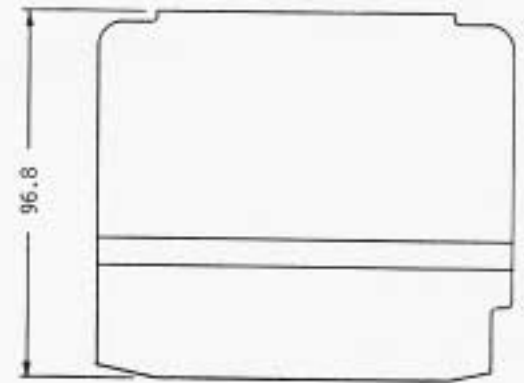
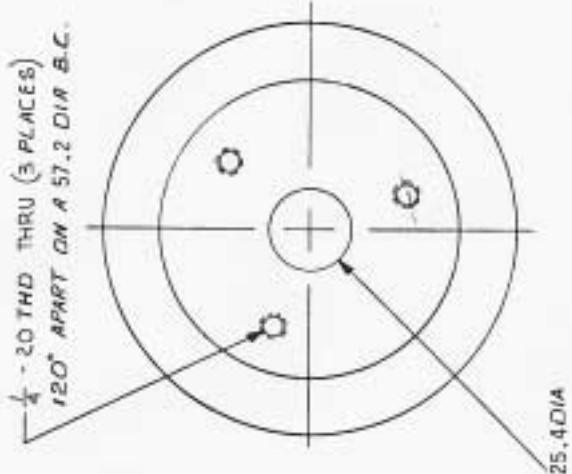
NO. 98

NO. 99

NO. 100

1. SEE DRAWING 5780 FOR PACKING INSTRUCTIONS.
 NOTES: (UNLESS OTHERWISE SPECIFIED)

THIS DRAWING AND SPECIFICATIONS ARE THE PROPERTY OF SALES & SERVICE GROUP, INC. ANY REPRODUCTION OR TRANSMISSION OF THIS DRAWING OR SPECIFICATIONS WITHOUT THE WRITTEN PERMISSION OF SALES & SERVICE GROUP, INC. IS PROHIBITED.



5	32161	CARTON	1	MRD 47303
4	34823	PAD. EXPANDED POLYSTYRENE	2	
3	50766	WARRANTY STATEMENT	1	
2	57534	INSTALLATION KIT	1	MRD 55344
1	35066	NET ITEM	1	
ITEM PART NUMBER		DESCRIPTION	QTY	REMARKS
BILL OF MATERIAL				

1. SEE DRAWING SYMBOL FOR PACKING INSTRUCTION.
 NOTES: (UNLESS OTHERWISE SPECIFIED)

SALES MODEL-2420

REVISED 8-BEDFORD

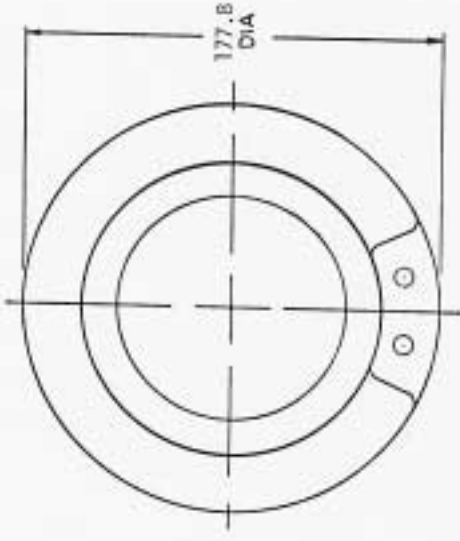
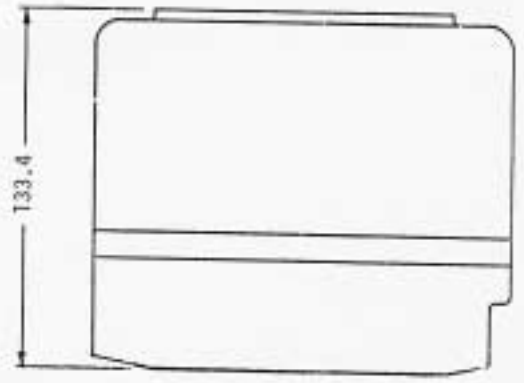
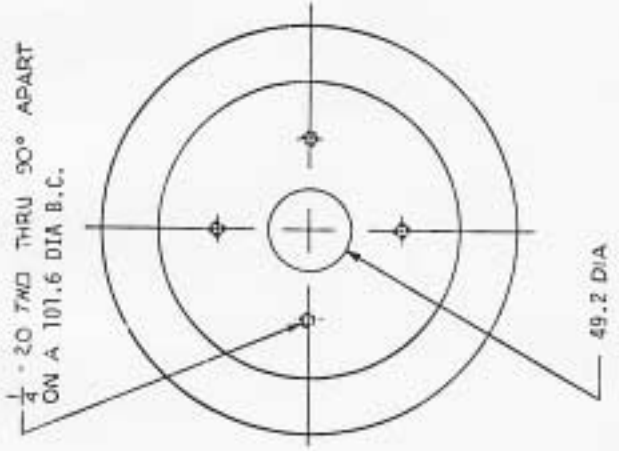
DATE: 10/75

BY: [Signature]

35066

35067

1. SEE DRAWING 57480 FOR PACKING INSTRUCTIONS.
 NOTES: (UNLESS OTHERWISE SPECIFIED)



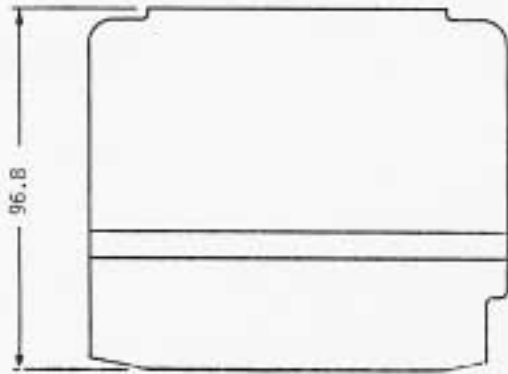
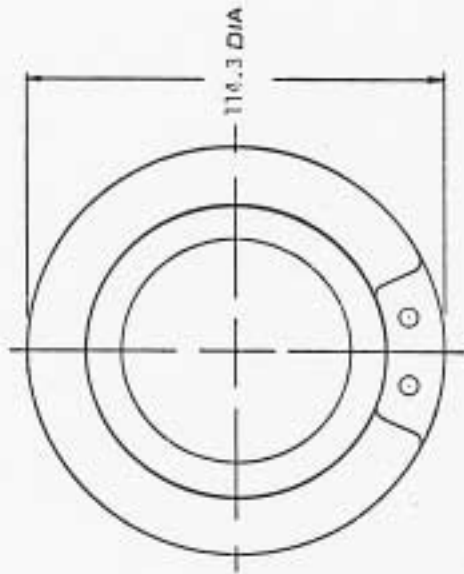
ITEM PART NUMBER	DESCRIPTION	QTY	REMARKS
5 31673	CARTON	1	MRD 47303
4 34521	PAD, EXPANDED POLYSTYRENE	2	
3 50766	WARRANTY STATEMENT	1	
2 57536	INSTALLATION KIT	1	MRD 55344
1 35061	MFD ITEM	1	

BILL OF MATERIAL

SALES MODEL 2-410

DATE: 1962-1-11

THIS DRAWING AND SPECIFICATIONS ARE THE PROPERTY OF JAMES S. LARSEN, OWNER. THEY ARE MADE IN CONFIDENCE AND ARE NOT TO BE REPRODUCED, COPIED, OR IN ANY MANNER DISCLOSED TO ANY OTHER PARTY WITHOUT THE WRITTEN CONSENT OF JAMES S. LARSEN.



$\frac{1}{4}$ - 20 THD THRU (3 PLACES)
120° APART ON A 57.2 DIA B.C.



ITEM PART NUMBER	DESCRIPTION	QTY	REMARKS
5 32161	CARTON	1	MRD #7303
4 34823	PAD-EXPANDED POLYSTYRENE	2	
3 50766	WARRANTY STATEMENT	1	
2 57534	INSTALLATION KIT	1	MRD 55344
1 51620	FIELD ITEM	1	

BILL OF MATERIAL

1. SEE DRAWING 5750 FOR PACKING INSTRUCTIONS.

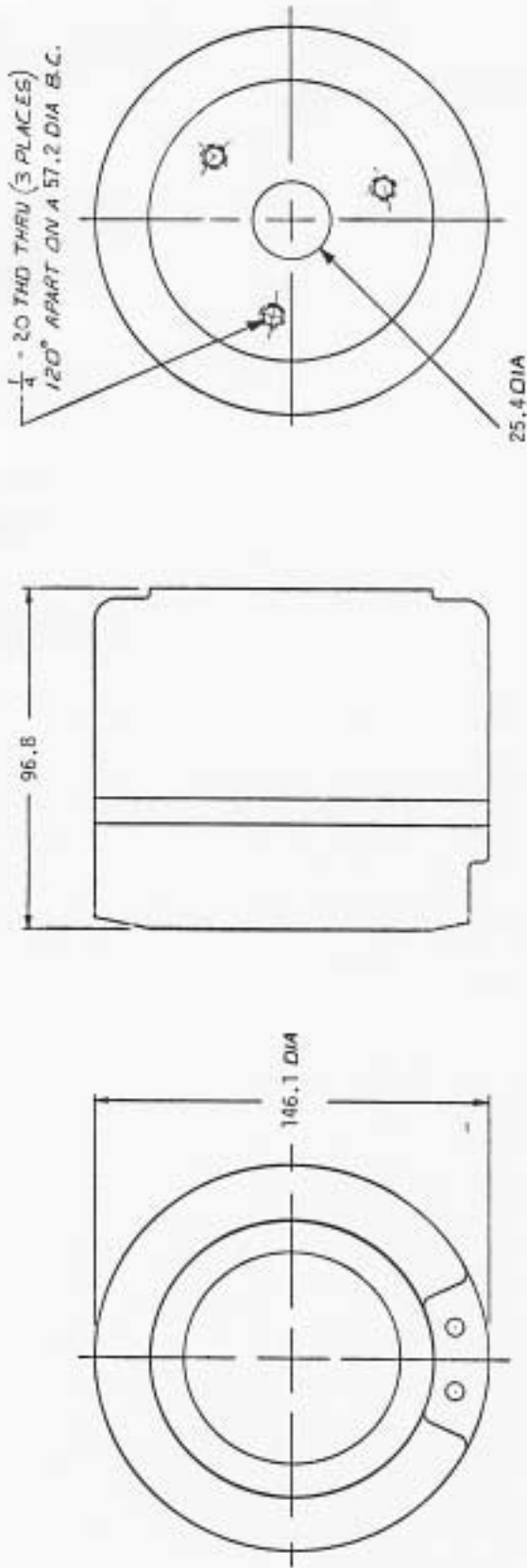
NOTES: (UNLESS OTHERWISE SPECIFIED)

SALES MODEL-2461

DATE: 5/6/21

REP: 1 of 1

THIS DRAWING AND SPECIFICATIONS ARE THE PROPERTY OF JACOBS & LEVINE, STAMPA, INC.
 ANY REUSE OR REPRODUCTION OF THIS DRAWING OR SPECIFICATIONS WITHOUT THE WRITTEN
 CONSENT OF JACOBS & LEVINE, STAMPA, INC. IS PROHIBITED.



ITEM PART NUMBER	DESCRIPTION	QTY	REMARKS
5 32161	CARTON	1	MRD 47303
4 34823	PAD. EXPANDED POLYSTYRENE	2	
3 50766	WARRANTY STATEMENT	1	
2 57534	INSTALLATION KIT	1	MRD 55344
1 35070	NIPD ITEM	1	

1. SEE DRAWING 3180 FOR PACKING INSTRUCTIONS.

NOTES: (UNLESS OTHERWISE SPECIFIED)

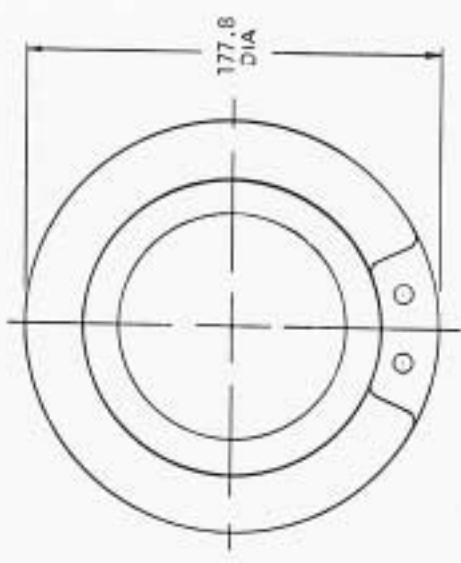
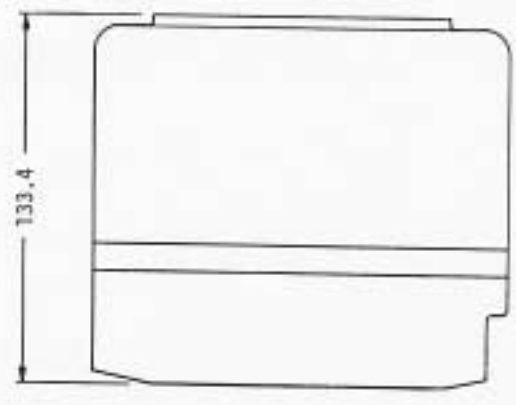
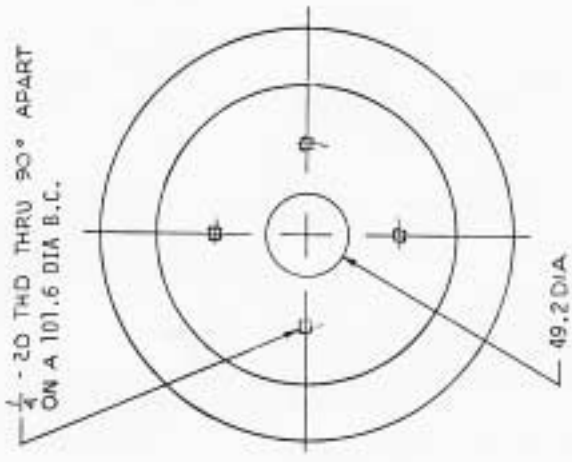
BILL OF MATERIAL

SALES MODEL-2470

35071

36

THIS DRAWING IS UNCLASSIFIED, AND THE PORTION OF THIS DRAWING WHICH IS UNCLASSIFIED IS BEING RELEASED TO THE PUBLIC IN FULL.



ITEM	PART NUMBER	DESCRIPTION	QTY	REMARKS
5	31673	CARTON	1	MRD 47303
4	34821	PAD, EXPANDED POLYSTYRENE	2	
3	50766	WARRANTY STATEMENT	1	
2	57536	INSTALLATION KIT	1	MRD 55344
1	48375	MFD ITEM	1	

1 SEE DRAWING 57480 FOR PACKING INSTRUCTIONS.
 NOTES: (UNLESS OTHERWISE SPECIFIED)

SALES MODEL 2482

REVISED 6 FEBRUARY 1964

BY: [Signature]

DATE: 11/15/64

18276

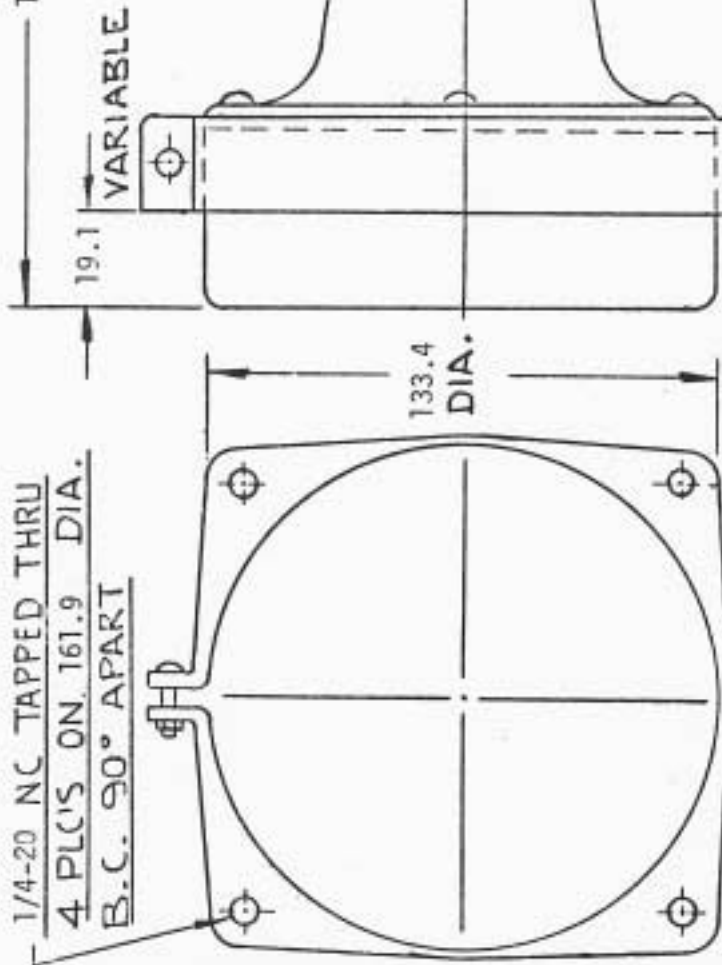
18276

18276

THESE DRAWINGS AND SPECIFICATIONS ARE THE PROPERTY OF JAMES B. LANSING SOUND INC. THEY ARE ISSUED IN STRICT CONFIDENCE AND SHALL NOT BE REPRODUCED, COPIED, OR USED AS THE BASIS FOR MANUFACTURE OR SALE OF APPARATUS WITHOUT PERMISSION.

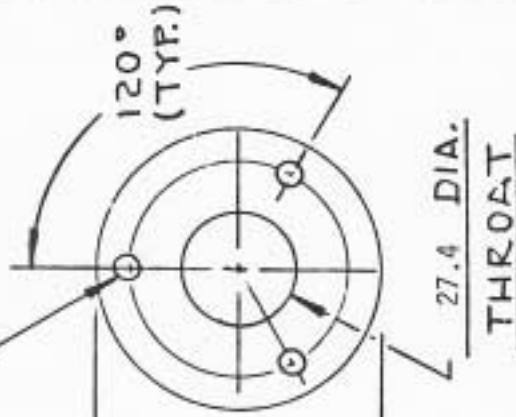
PART NO.	QTY.	DESCRIPTION
35225	1	REFD. ITEM
21779	4	SCR. 1/4-20 NC X 1-1/4 LG. RD. HD.
21784	1	POLYETHYLENE BAG
34322	1	CARTON FILLER
34823	1	CARTON FILLER
35442	1	CARTON  MRD 47303

1/4-20 NC TAPPED THRU.
4 PLCS ON 161.9 DIA.
B.C. 90° APART



NOTE: ① STAMP IN BLACK CHARACTERS APPROPRIATE MODEL NO. ON CARTON
② LITERATURE IN CARTON TO INCLUDE 50601 WARR CARD

3/8" H DRILL (6.8) DIA.
3 PLCS ON 57.2 DIA. B.C.



REVISIONS

ECN	LET.	CHANGE	DATE	BY
1910	A	REL. FOR PROD.	11-7-70	
8484	B	PER ECN	11-7-70	

UNLESS OTHERWISE SPECIFIED DIMENSIONS ARE IN INCHES.

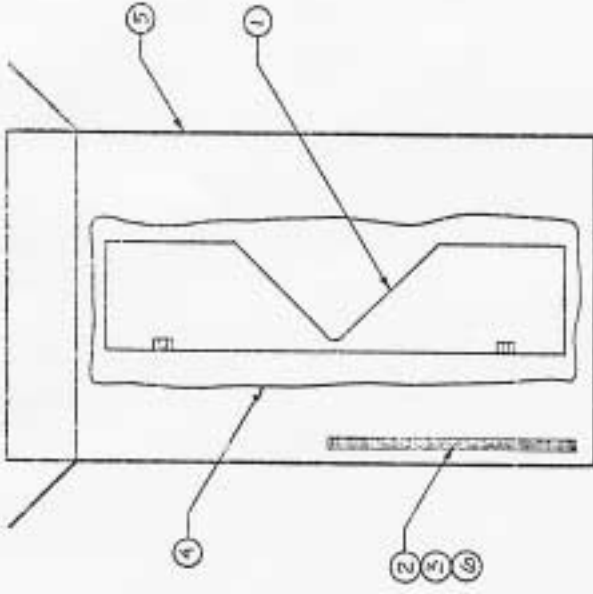
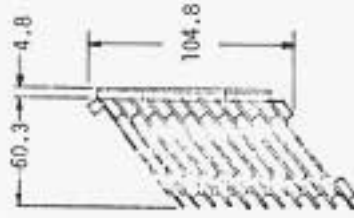
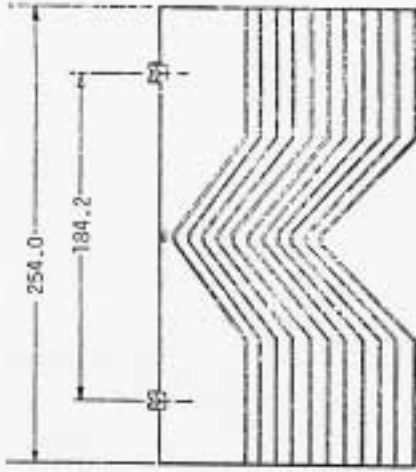
DECIMALS	FRACTIONS	ANGULAR
.XX ± .01	X/X ± 1/32	±
TIR	MATERIAL	TREATMENT
②		
①		
③		
④		
⑤		
⑥		
⑦		
⑧		
⑨		
⑩		
⑪		
⑫		
⑬		
⑭		
⑮		
⑯		
⑰		
⑱		
⑲		
⑳		
㉑		
㉒		
㉓		
㉔		
㉕		
㉖		
㉗		
㉘		
㉙		
㉚		
㉛		
㉜		
㉝		
㉞		
㉟		
㊱		
㊲		
㊳		
㊴		
㊵		
㊶		
㊷		
㊸		
㊹		
㊺		
㊻		
㊼		
㊽		
㊾		
㊿		

DRAWN: SM	11-30-70
CHECK: RFS	
DESIGN: 2/1/71	
ENGR:	
APPR: (Signature)	

JBL JAMES B. LANSING SOUND INC. 101 Appleton St. Boston, Mass.	
TITLE: 2305 HORN/LENS SALES MODEL	
SIZE: A	SALES MODEL
DRAWING NUMBER: 35226	REV: B
SCALE: ---	WEIGHT: ---
SHEET: 1	OF: 1

THIS DRAWING IS UNCLASSIFIED AND IS AVAILABLE TO THE PUBLIC IN WHOLE OR IN PART.

THE FOLLOWING IS THE INFORMATION FOR THE PARTS LISTED IN THIS DRAWING. THE PARTS LISTED IN THIS DRAWING ARE THE PROPERTY OF THE GOVERNMENT AND ARE NOT TO BE REPRODUCED OR TRANSMITTED IN ANY FORM OR BY ANY MEANS, ELECTRONIC OR MECHANICAL, INCLUDING PHOTOCOPYING, RECORDING, OR BY ANY INFORMATION STORAGE AND RETRIEVAL SYSTEM.



1. RUBBER STAMP MODEL NO. IN SPACE PROVIDED ON CARTON.
 NOTES: (UNLESS OTHERWISE SPECIFIED)

ITEM PART NUMBER	DESCRIPTION	QTY	REMARKS
6	50630 ENVELOPE, LITERATURE	1	
5	57327 CARTON	1	MFD 47303
4	33353 PACKAGING	4	
3	50774 MOUNTING TEMPLATE	1	
2	50764 WARRANTY STATEMENT	1	
1	35202 MFD ITEM, 2308	1	

SALES MODEL 2308

DATE: 10/15/54

BY: [Signature]

FOR: [Signature]

TO: [Signature]

FROM: [Signature]

QUANTITY: 1

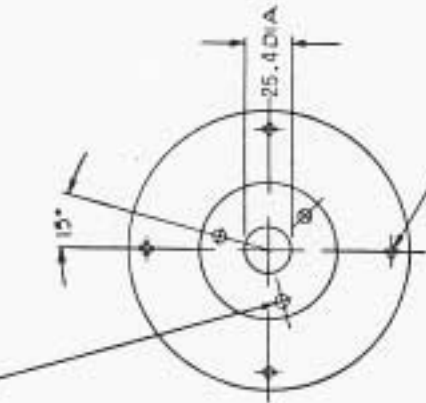
UNIT: 1

REMARKS: SALES MODEL 2308

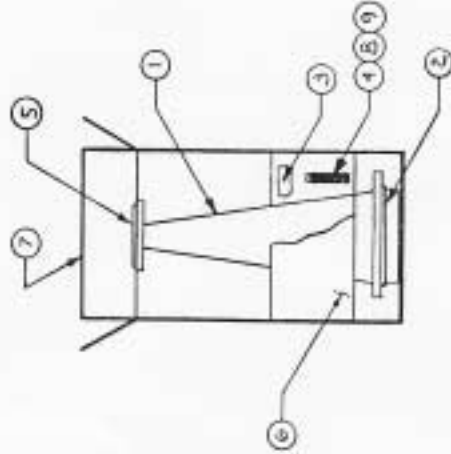
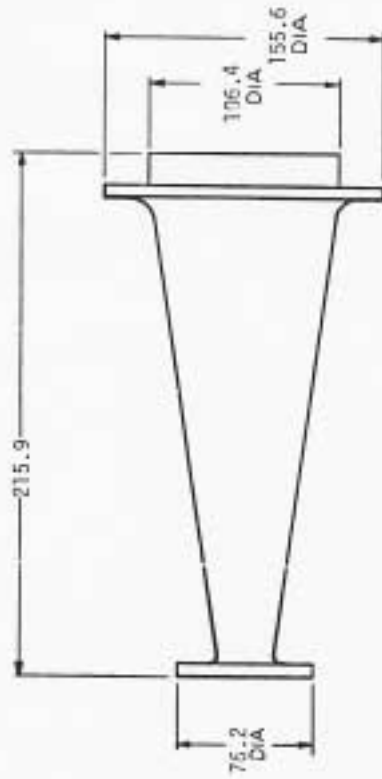
THIS DRAWING AND SPECIFICATIONS ARE THE PROPERTY OF JAMES M. JAMES MANUFACTURING CO. ANY REPRODUCTION OR USE OF ANY PART THEREOF WITHOUT THE WRITTEN PERMISSION OF JAMES M. JAMES MANUFACTURING CO. IS PROHIBITED.

NOTICE
THE FOLLOWING
DCR'S ARE
OUTSTANDING
AGAINST THIS
DRAWING.

6.8 DIA THRU (3 PLCS)
90° APART ON A 57.2 DIA B.C.



±.20 THD THRU (4 PLCS)
90° APART ON A 137.3 DIA B.C.



4. ITEM 6 SLIPPED OVER THE HORN BEHIND ITS FLANGE, AS INDICATED.
 3. RUBBER STAMP MODEL NUMBER IN SPACE PROVIDED ON CARTON.
 2. ITEM 3 TAPED TO INNER SIDE OF ITEM 6 AS SHOWN.
 1. BAFFLE HOLE CUTOUT TO BE: 108.0 DIA
- NOTES: (UNLESS OTHERWISE SPECIFIED)

ITEM PART NUMBER	DESCRIPTION	QTY	REMARKS
9 50630	ENVELOPE, LITERATURE	1	
8 50794	MOUNTING TEMPLATE	1	
7 29264	CARTON	1	MRD 47303
6 20098	FILLER	1	
5 33353	PACKAGING	1	
4 50766	WARRANTY STATEMENT	1	
3 57508	INSTALLATION KIT	1	MRD 55344
2 21771	GASKET, VINYL	1	
1 41135	MFD ITEM, 2307	1	

BILL OF MATERIAL

NO. OF WORK INTERFERENCES SEE # HOLE

DATE: 11/11/00

DESIGNER: JAMES M. JAMES

CHECKED: JAMES M. JAMES

APPROVED: JAMES M. JAMES

SALES MODEL: 2307

DATE: 11/13/00

BY: JAMES M. JAMES

NO. OF BLDG. TYPING: 1

NO. OF BLDG. TYPING: 1

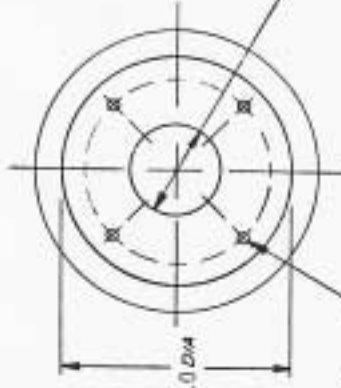
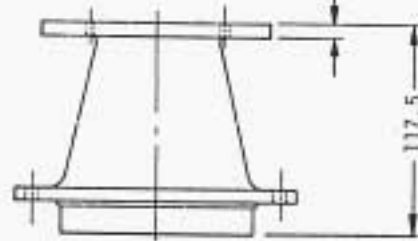
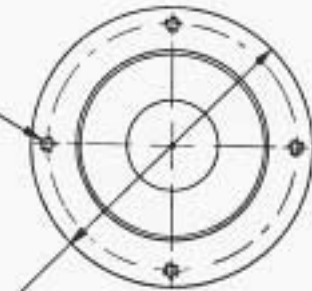
THIS DRAWING AND SPECIFICATIONS ARE THE PROPERTY OF JAMES H. LAMSON COMPANY. IT IS TO BE KEPT IN CONFIDENTIALITY AND NOT TO BE REPRODUCED, COPIED OR TRANSMITTED IN ANY FORM OR BY ANY MEANS, ELECTRONIC OR MECHANICAL, INCLUDING PHOTOCOPYING, RECORDING, OR BY ANY INFORMATION STORAGE AND RETRIEVAL SYSTEM, WITHOUT THE WRITTEN PERMISSION OF JAMES H. LAMSON COMPANY.

NOTICE

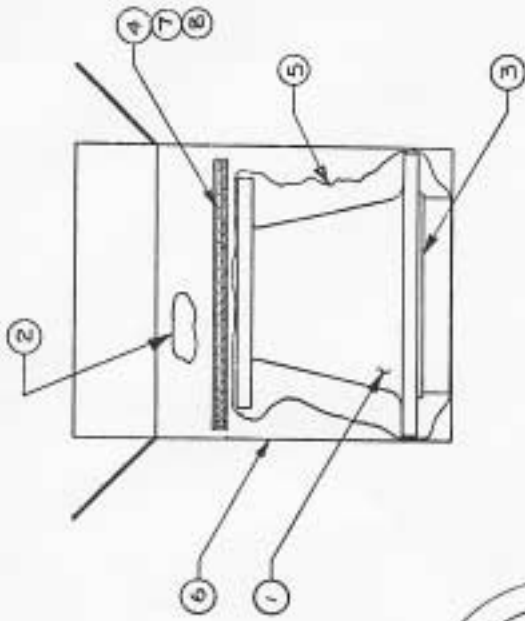
THE FOLLOWING
DCR'S ARE
OUTSTANDING
AGAINST THIS
DRAWING.

155.6 DIA

1/4" - 20 TND THRU (4 PLCS)
90° APART ON A 137.3 DIA B.C.



6.8 DIA THRU (4 PLCS)
90° APART ON A 101.6 DIA B.C.



ITEM	PART NO.	DESCRIPTION	QTY	REMARKS
8	50630	ENVELOPE, LITERATURE	1	
7	50794	MOUNTING TEMPLATE	1	
6	32161	CARTON	1	MRD 47303
5	33353	PACKAGING	1	
4	50766	WARRANTY STATEMENT	1	
3	21771	GASKET, VINYL	1	
2	57508	INSTALLATION KIT	1	MRD 55344
1	50958	MFD. ITEM, 2311	1	

BILL OF MATERIAL

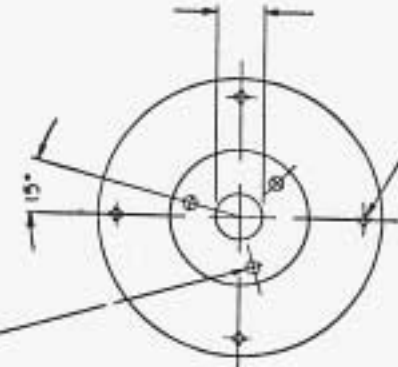
ORDER NUMBER: 50630
 ORDER DATE: 10/15/78
 ORDER TIME: 10:00 AM
 ORDER FROM: JAMES H. LAMSON COMPANY
 ORDER TO: SALES MODEL 2311
 ORDER BY: [Signature]
 ORDER FOR: [Signature]
 ORDER NO.: 50630
 ORDER DATE: 10/15/78
 ORDER TIME: 10:00 AM
 ORDER FROM: JAMES H. LAMSON COMPANY
 ORDER TO: SALES MODEL 2311
 ORDER BY: [Signature]
 ORDER FOR: [Signature]

1. BAFFLE HOLE CUTOUT TO BE 109.5 DIA.

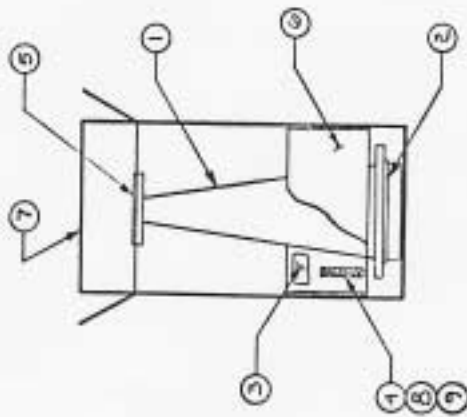
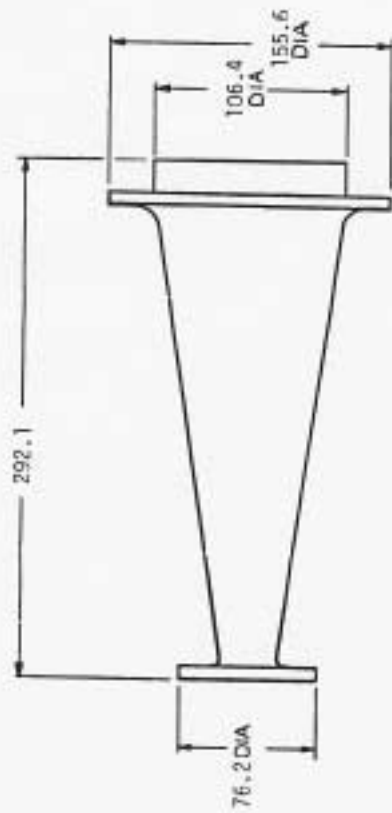
NOTES: (UNLESS OTHERWISE SPECIFIED)

NOTE
 THE FOLLOWING
 ENVELOPE
 OUTSTANDING
 AGAINST THIS
 DRAWING.

6.8 DIA THRU (3 PLCS) ON
 A 57.2 DIA B.C.



1 - 20 TWD THRU (4 PLCS)
 90° APART ON A 137.3 DIA



- 3. ITEM 6 SLIPPED OVER THE HORN BEHIND ITS FLANGE AS INDICATED.
 - 2. RUBBER STAMP MODEL NUMBER IN SPACE PROVIDED ON CARTON.
 - 1. ITEM 3 TAPED TO INNER SIDE OF ITEM 6 AS SHOWN.
- NOTES: (UNLESS OTHERWISE SPECIFIED)

ITEM PART NUMBER	DESCRIPTION	QTY	REMARKS
9	50630 ENVELOPE, LITERATURE	1	
8	50734 MOUNTING TEMPLATE	1	
7	29264 CARTON	1	MRD 47303
6	20098 FILLER	1	
5	33353 PACKAGING	1	
4	50766 WARRANTY STATEMENT	1	
3	5750B INSTALLATION KIT	1	MRD 55344
2	21771 GASKET, VINYL	1	
1	52B2B MFD ITEM, 2312	1	

BILL OF MATERIAL

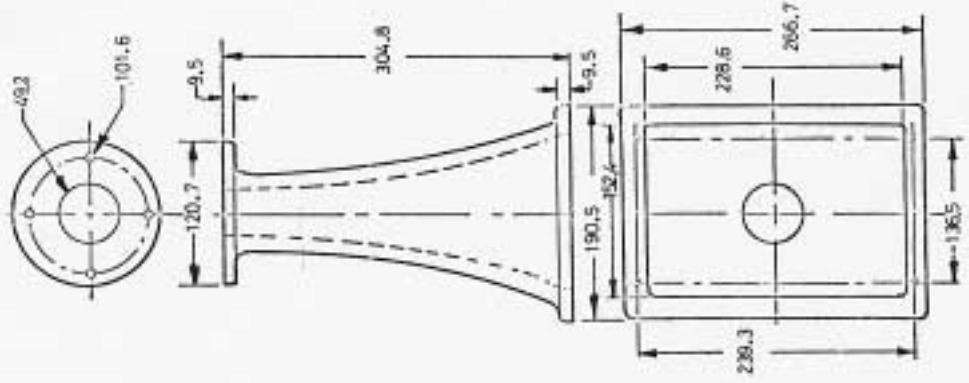
ALL DIMENSIONS UNLESS OTHERWISE SPECIFIED ARE IN INCHES AND DECIMALS THEREOF.

DATE: 12-1-54
 DRAWN BY: J. J. BROWN
 CHECKED BY: J. J. BROWN
 APPROVED BY: J. J. BROWN

SALES MODEL: 2312

REV: 1
 52B30
 D

FROM MANUFACTURE AND CONSTRUCTION OF THE COMPANY OF JEROME S. LAMBERT, NEW YORK, N.Y. THIS IS THE ONLY ORIGINAL AND ONLY AUTHENTIC COPY OF THE ORIGINAL DRAWING. THE REPRODUCTION OF THIS DRAWING WITHOUT THE WRITTEN PERMISSION OF THE COMPANY IS PROHIBITED.



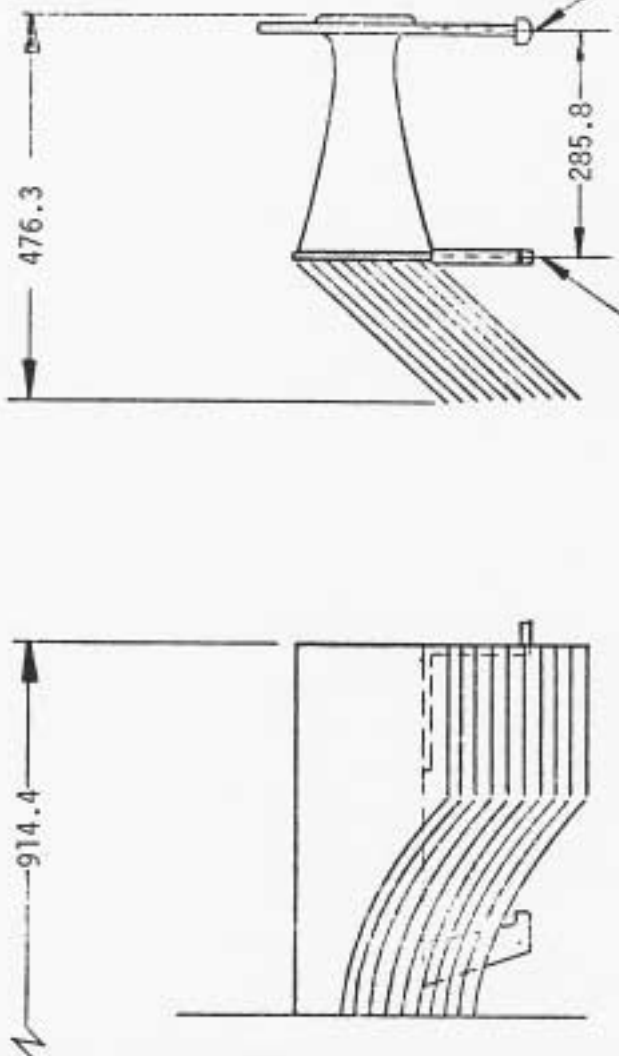
SALES MODEL 2309		REVISED & REDESIGNED	
DATE	BY	DATE	BY
1968	J. S. LAMBERT	1968	J. S. LAMBERT
SALES MODEL 2309		REVISED & REDESIGNED	
DATE	BY	DATE	BY
1968	J. S. LAMBERT	1968	J. S. LAMBERT

REVISIONS

ECN	LET.	CHANGE	DATE	BY
7623	A	REDRAWN & REVISED	2-18-71	RZ
8330	B	PER ECN		
8484	C	PER ECN		
9335	D	REV. PFR FCN		
325	E	DELTA CORRIGED WAS 77.2		

PART NO. QTY. DESCRIPTION

35192	1	MFD ITEM 2395
47254	2	BRACKET (MFD 47253)
47256	1	SUPPORT, REAR ADJUSTABLE (MFD 47255)
21954	4	WASHER, HEX 10-32
21900	4	WASHER #10
21942	4	SCREW, 10-32 X 1/2 FIL. HD. PH.
21885	4	LAG BOLT, 1/4 X 1-1/2
54929	1	FILLER MFD 54928
54930	1	FILLER MFD 54923
54931	1	CARTON (MFD 47303)
50133	2	CAP SCREW 1/4-20 X 1-1/4
47777	2	SPRING LOCKWASHER
54927	1	FILLER PAD
54926	1	PALLET BLD. ASST
21719	4	SCREW 1/4-20 X 1/4 HD
21757	2	SCREW 10-32 X 1/4 FIL. HD
21878	2	FLAT WASHER
50601	1	WARRANTY CARD



PRIMARY USE
PROF. SERIES 120°
DISPERSION

SUPPORT MTG. HOLES 235.0C.C.

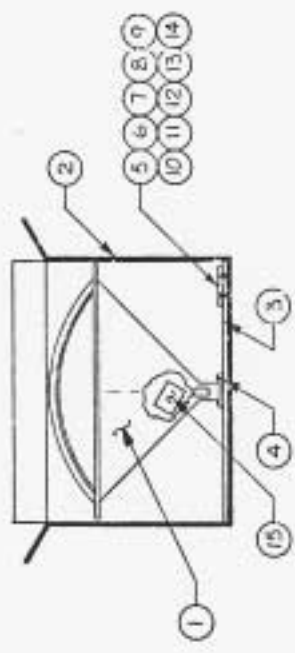
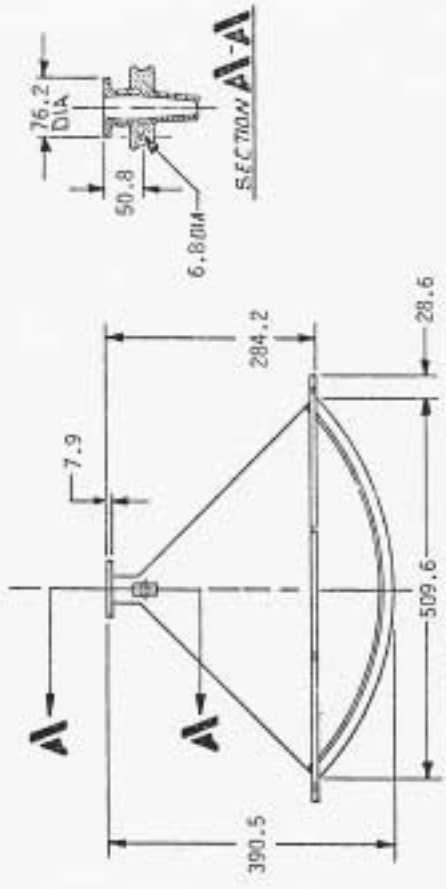
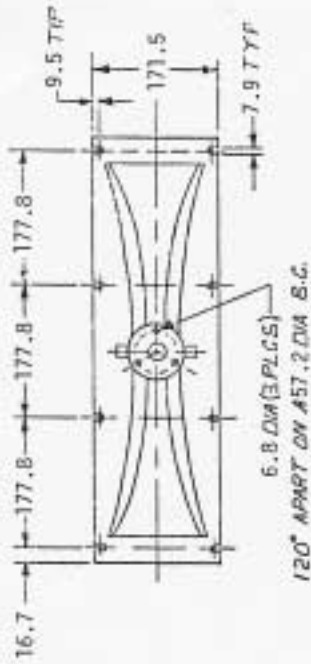
2 THESE ITEMS TO BE PACKED IN 11 TIOS BAG

1 LITERATURE IN CARTON

NOTES:

DRAWN: <i>RZ</i> CHECK: <i>RZ</i> DESIGN: <i>3/30/71</i>		DATE: <i>2-18-71</i>	
ENGR: _____ APPR: <i>RZ</i>		DATE: <i>3-31-71</i>	
TITLE: 2395 HORN-LENS			
SIZE: A	SALES MODEL: 55193	DRAWING NUMBER: 55193	REV: E
SCALE: _____	WEIGHT: _____	SHEET: 1	OF: 1
UNLESS OTHERWISE SPECIFIED DIMENSIONS ARE IN INCHES. BREAK SHARP EDGES-045			
DECIMALS .X X ± 01 FRACTIONS X/X ± 1/32 ±	ANGULAR ±	DO NOT SCALE DRAWING	
MATERIAL: _____ TREATMENT: _____ MACHINE FINISH: <i>V</i>	APPLICATION: 2395		
QTY: 2395	NEXT DWG: _____	QTY: _____	

THIS DRAWING AND SPECIFICATIONS ARE THE PROPERTY OF SALES & SERVICE COMPANY, INC. ANY REPRODUCTION IN WHOLE OR IN PART WITHOUT THE WRITTEN PERMISSION OF SALES & SERVICE COMPANY, INC. IS PROHIBITED.



- ③ ITEMS 5, 6, 7, 8, 9, 10, 11, 12, 14 Packed in Item #13.
 - ② Item #7 Packed in Item #14.
 - ① Use Item #9 to Mount Item #1 to Item #5.
- NOTES: UNLESS OTHERWISE SPECIFIED.

ITEM PART NO	DESCRIPTION	QTY	REMARKS
14	58049 TECHNICAL MANUAL	1	
15	50766 WARRANTY STATEMENT	1	
14	11710 B BAG, POLYETHYLENE 3" X 4 1/2"	1	
13	21784 BAG, POLYETHYLENE - 10" X 15"	1	
12	21904 T-NUT, 1/4-20 X 7/8"	8	
11	35308 BOLT, 1/4 - 20 X 7/8" . HEX	8	
10	21885 LOCKWASHER	5	
9	29353 NUT, 1/4 X 20, HEX	8	
8	47937 FLAT WASHER, 1/4"	11	
7	21895 SCREW, 1/4-20 X 1 1/2" RD. HD. PH.	4	
6	35464 BRACKET, SUPPORT (REAR)	1	
5	47674 BRACKET, SUPPORT (FRONT)	1	
4	21779 SCREW, 1/4-20 X 1 1/4" RD. HD. PH.	3	
3	47666 PALLET ASSY.	1	
2	47681 CARTON	1	MFD. 47303
1	47276 MFD. ITEM 2345	1	

SALES MODEL-2345 NORM

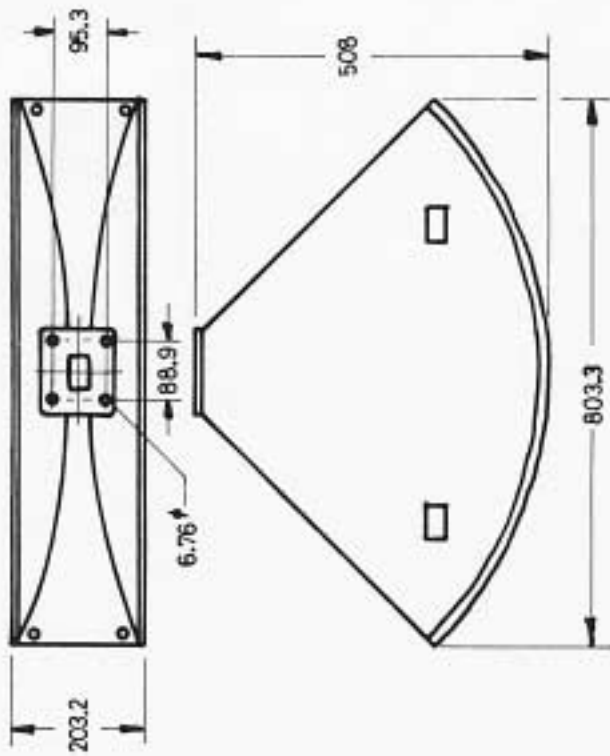
DATE: 4/27/77

BY: [Signature]

REV: [Signature]

SALES & SERVICE COMPANY, INC.

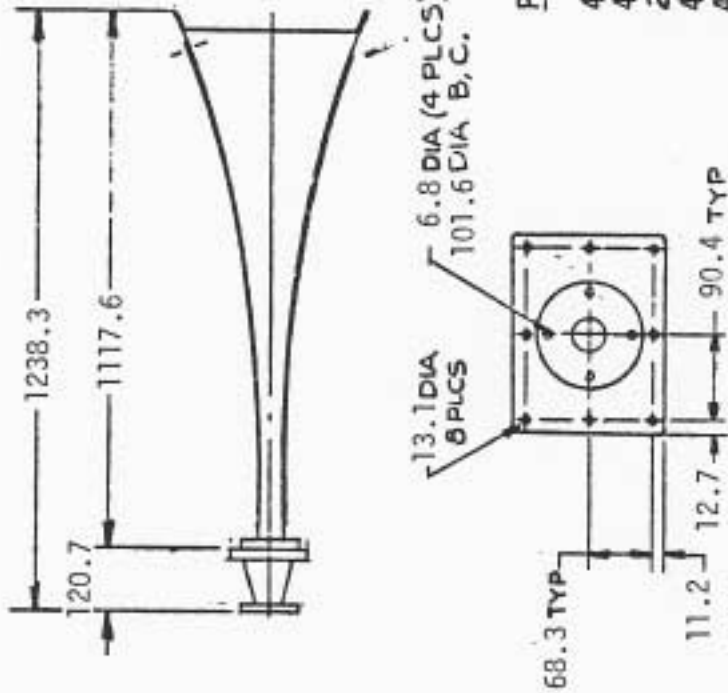
THIS DRAWING AND SPECIFICATIONS ARE THE PROPERTY OF CASEY'S, LIMITED. ANY REPRODUCTION OR USE OF THIS DRAWING OR SPECIFICATIONS WITHOUT THE WRITTEN PERMISSION OF CASEY'S, LIMITED IS PROHIBITED.



SALES MODEL 2350		DATE	BY	REVISED
3805		10/15/15	REGRANU	1
3805		10/15/15	REGRANU	2
3805		10/15/15	REGRANU	3
3805		10/15/15	REGRANU	4
3805		10/15/15	REGRANU	5
3805		10/15/15	REGRANU	6
3805		10/15/15	REGRANU	7
3805		10/15/15	REGRANU	8
3805		10/15/15	REGRANU	9
3805		10/15/15	REGRANU	10
3805		10/15/15	REGRANU	11
3805		10/15/15	REGRANU	12
3805		10/15/15	REGRANU	13
3805		10/15/15	REGRANU	14
3805		10/15/15	REGRANU	15
3805		10/15/15	REGRANU	16
3805		10/15/15	REGRANU	17
3805		10/15/15	REGRANU	18
3805		10/15/15	REGRANU	19
3805		10/15/15	REGRANU	20
3805		10/15/15	REGRANU	21
3805		10/15/15	REGRANU	22
3805		10/15/15	REGRANU	23
3805		10/15/15	REGRANU	24
3805		10/15/15	REGRANU	25
3805		10/15/15	REGRANU	26
3805		10/15/15	REGRANU	27
3805		10/15/15	REGRANU	28
3805		10/15/15	REGRANU	29
3805		10/15/15	REGRANU	30
3805		10/15/15	REGRANU	31
3805		10/15/15	REGRANU	32
3805		10/15/15	REGRANU	33
3805		10/15/15	REGRANU	34
3805		10/15/15	REGRANU	35
3805		10/15/15	REGRANU	36
3805		10/15/15	REGRANU	37
3805		10/15/15	REGRANU	38
3805		10/15/15	REGRANU	39
3805		10/15/15	REGRANU	40
3805		10/15/15	REGRANU	41
3805		10/15/15	REGRANU	42
3805		10/15/15	REGRANU	43
3805		10/15/15	REGRANU	44
3805		10/15/15	REGRANU	45
3805		10/15/15	REGRANU	46
3805		10/15/15	REGRANU	47
3805		10/15/15	REGRANU	48
3805		10/15/15	REGRANU	49
3805		10/15/15	REGRANU	50

THESE DRAWINGS AND SPECIFICATIONS ARE THE PROPERTY OF JAMES B. LARSEN SOUND INC. THEY ARE ISSUED IN STRICT CONFIDENCE AND SHALL NOT BE REPRODUCED, COPIED, OR USED AS THE BASIS FOR MANUFACTURE OR SALE OF APPARATUS WITHOUT PERMISSION.

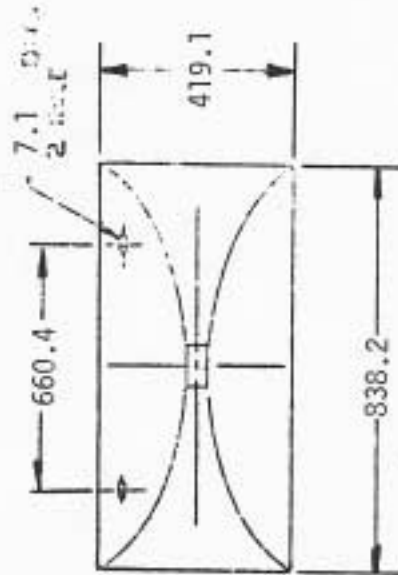
RATED COVERAGE OF 40° HORIZONTAL BY 20° VERTICAL IS MAINTAINED THROUGHOUT THE FULL FREQUENCY RANGE OF THE HORN.



ADAPTOR DETAIL

REVISIONS

FCN	LET.	CHANGE	DATE	BY
B04G	A	REL FOR 1/4"		
189A	B	47957 (RHS) SHW		
189A	C	PER ECN		
458C	D	ADD ID: 58049, 1, 376, 41116		



DESCRIPTION

- MFD ITEM 2355
- EYEBOLT 1/4-20NC X 3"
- HEX NUT 1/4-20NC
- FLAT WASHER 1/4 I.D.
- PALLET
- SCR. 1/4-20NC X 1-1/2" I.D. #D.
- CARTON HED 47303
- TECHNICAL MANUAL
- WARRANTY CARD

QTY.

- 41068 1
- 47538 2
- 29353 8
- 47937 12
- 47539 1
- 47543 4
- 47537 1
- 58049 1
- 50601 1

P/N

- 41068
- 47538
- 29353
- 47937
- 47539
- 47543
- 47537
- 58049
- 50601

UNLESS OTHERWISE SPECIFIED DIMENSIONS ARE IN INCHES.
BREAK SHARP EDGES-046

DECIMALS FRACTIONS ANGULAR
.XX ± .01 .XX ± .005 X/X = ±1/32 ±

THR MATERIAL TREATMENT MACHINE-FINISH V

QTY MODEL NEXT DWG APPLICATION

DO NOT SCALE DRAWING

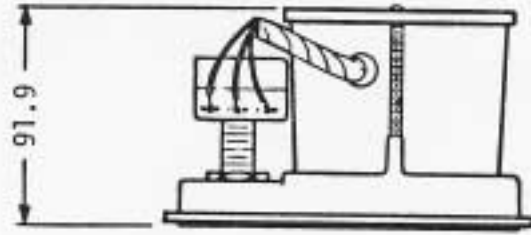
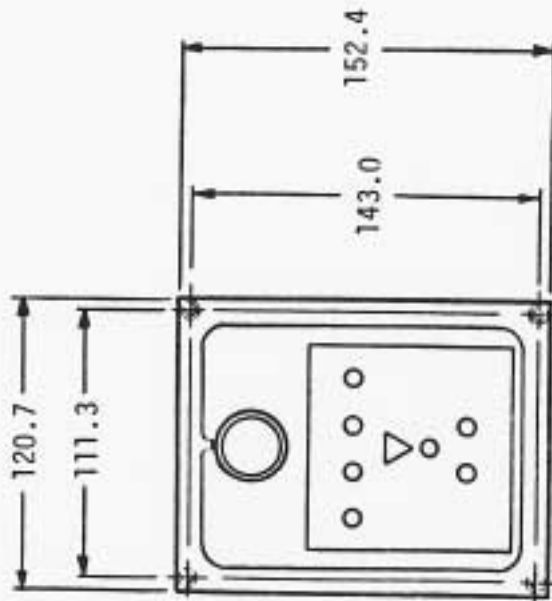
DRAWN: *[Signature]*
CHECK: *[Signature]*
DESIGN: *[Signature]*
ENGR: *[Signature]*
APPR: *[Signature]*

TITLE: SALES MODEL, 2356
SALES MODEL DWG 41203
DRAWING NUMBER 41203
SCALE: A
SHEET 1 OF 1

THIS DRAWING AND SPECIFICATIONS ARE THE PROPERTY OF LITTON ELECTRONIC CORP. ANY REPRODUCTION OR TRANSMISSION OF THIS DRAWING OR SPECIFICATIONS WITHOUT THE WRITTEN PERMISSION OF LITTON ELECTRONIC CORP. IS PROHIBITED.

NOTICE

THE FOLLOWING
DCR'S ARE
OUTSTANDING
AGAINST THIS
DRAWING.



ITEM PART NUMBER	DESCRIPTION	QTY	REMARKS
6	55042 MOUNTING TEMPLATE	1	
7	57329 CARTON	1	MRD 47303
6	12867 FILLER PAD	2	
5	10455 FILLER TUBE	1	
4	50768 INSTRUCTION MANUAL	1	
3	50766 WARRANTY STATEMENT	1	
2	55343 INSTALLATION KIT	1	MRD 55344
1	4191 AIFD ITEM/WIRING DIAGRAM - 3105	1	

1. SEE DRAWING 57479 FOR PACKING INSTRUCTIONS.

NOTES: UNLESS OTHERWISE SPECIFIED

SALES MODEL, 3105

41123

6

1

2

3

4

5

6

7

8

9

10

11

12

13

14

15

16

17

18

19

20

21

22

23

24

25

26

27

28

29

30

31

32

33

34

35

36

37

38

39

40

41

42

43

44

45

46

47

48

49

50

51

52

53

54

55

56

57

58

59

60

61

62

63

64

65

66

67

68

69

70

71

72

73

74

75

76

77

78

79

80

81

82

83

84

85

86

87

88

89

90

91

92

93

94

95

96

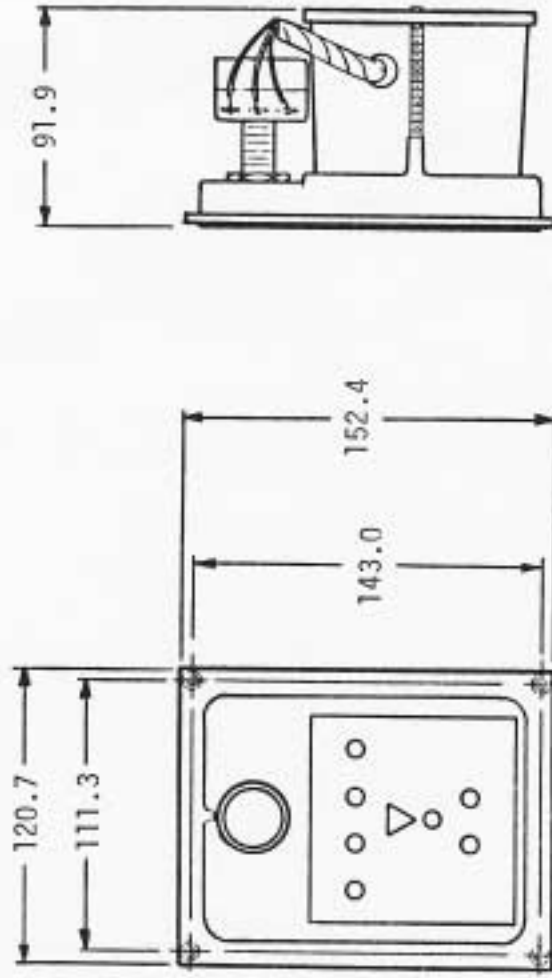
97

98

99

100

NOT DRAWN TO SCALE. SEE THE DRAWING OF THE UNIT FOR THE LOCATION OF THE MOUNTING HOLES. SEE THE INSTRUCTIONS FOR THE MOUNTING HOLES.



ITEM	ITEM NUMBER	DESCRIPTION	QTY	REMARKS
5	51042	MOUNTING TEMPLATE	1	
7	57529	CARTON	1	MKD 47303
6	10455	CARTON TUBE	1	
8	12667	FILLER PAD	2	
4	50768	INSTRUCTION MANUAL	1	
3	50766	WARRANTY STATEMENT	1	
2	51243	INSTALLATION KIT	1	MKD 55244
1	95769	MFD ITEM	1	

1. SEE DRAWING 57479 FOR PACKING INSTRUCTIONS.
 NOTES: (UNLESS OTHERWISE SPECIFIED)

SALES MODEL, 5106

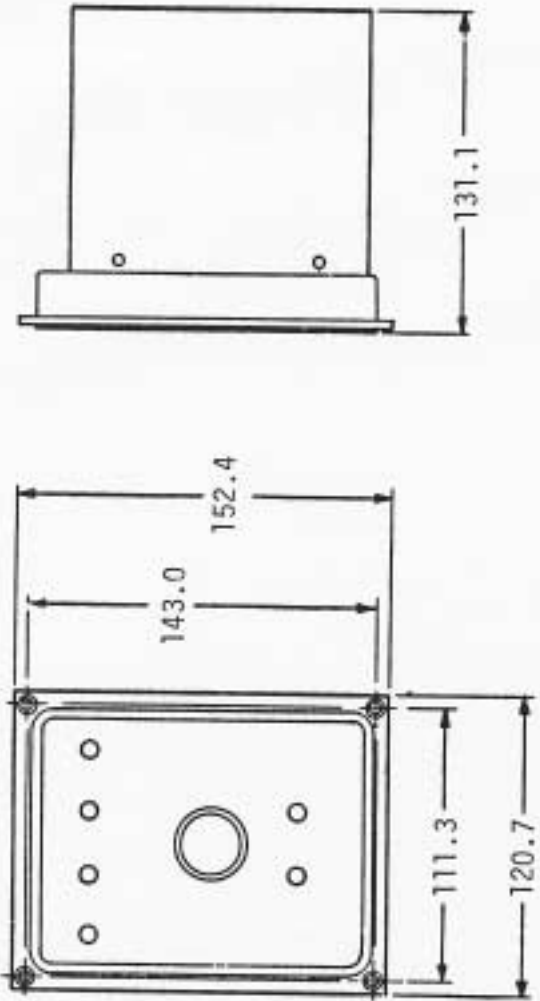
38775

63

THIS DRAWING AND SPECIFICATIONS ARE THE PROPERTY OF JAMES S. HARRISON ENGINEERING CO. ANY REPRODUCTION OR TRANSMISSION OF THIS DRAWING OR SPECIFICATIONS WITHOUT THE WRITTEN PERMISSION OF JAMES S. HARRISON ENGINEERING CO. IS PROHIBITED.

NOTICE

THE FOLLOWING
 DIMENSIONS ARE
 OUTSTANDING
 AGAINST THIS
 DRAWING.



ITEM PART NUMBER	DESCRIPTION	QTY	REMARKS
8 53042	MOUNTING TEMPLATE	1	
7 57329	CARTON	1	MRD 47303
6 12867	CARTON FILLER PAD	2	
5 10455	CARTON TUBE	1	
4 50768	INSTRUCTION MANUAL	1	
3 50766	WARRANTY STATEMENT	1	
2 55343	INSTALLATION KIT	1	MRD 55344
1 35154	MED ITEM/ WIRING DIAGRAM - 3110	1	

BILL OF MATERIAL

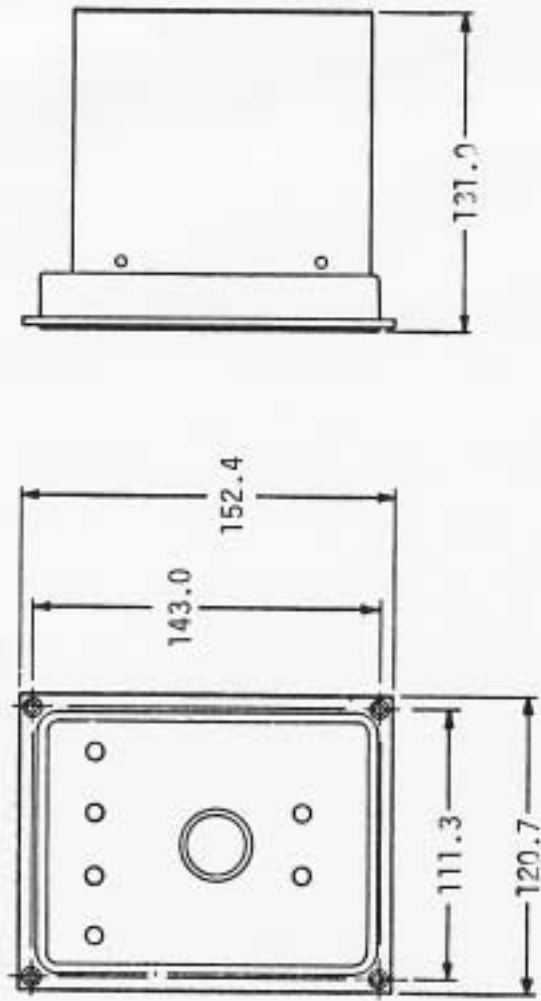
SALES MODEL 3110
 DATE 11/15/59
 BY C
 CHECKED BY
 APPROVED BY
 SALES MODEL 3110
 DATE 11/15/59
 BY C
 CHECKED BY
 APPROVED BY

1. SEE DRAWING 57479 FOR PACKING INSTRUCTIONS.
 NOTES: (UNLESS OTHERWISE SPECIFIED)

THIS DRAWING AND SPECIFICATIONS ARE THE PROPERTY OF JACOBS & LEONARD COMPANY, INC. AND ARE NOT TO BE REPRODUCED OR TRANSMITTED IN ANY FORM OR BY ANY MEANS, ELECTRONIC OR MECHANICAL, INCLUDING PHOTOCOPYING, RECORDING, OR BY ANY INFORMATION STORAGE AND RETRIEVAL SYSTEM, WITHOUT PERMISSION IN WRITING FROM JACOBS & LEONARD COMPANY, INC.

NOTICE

THE FOLLOWING
 DCR'S ARE
 OUTSTANDING
 AGAINST THIS
 DRAWING.



ITEM PART NUMBER	DESCRIPTION	QTY	REMARKS
6 58042	QUANTING TEMPLATE	1	
7 57829	CARTON	1	MFD 47303
6 10455	CARTON TUBE	1	
5 12667	FILLER PAD	2	
4 50758	INSTRUCTION MANUAL	1	
3 50758	WARRANTY STATEMENT	1	
2 55343	INSTALLATION KIT	1	MFD 55344
1 47039	MFD TSM/ WIRING DIAGRAM - SWS	1	

BILL OF MATERIAL

SALES MODEL 3115

DATE: 11/15/81

BY: C

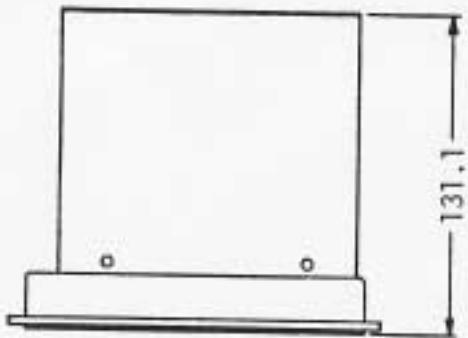
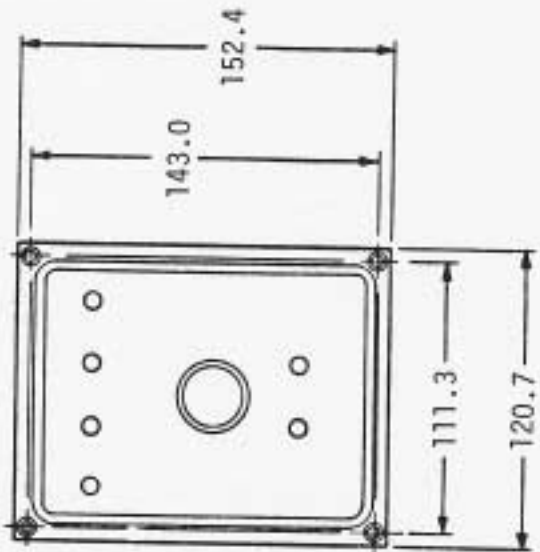
REV: 1

QTY: 1

REMARKS: 1. SEE DRAWING 57479 FOR RACKING INSTRUCTIONS. NOTES: (UNLESS OTHERWISE SPECIFIED).

THIS DRAWING AND INSTRUMENTS ARE THE PROPERTY OF GEORGE A. JACOBS, MODEL INC. ANY USE THEREOF IN ANY MANNER WITHOUT THE WRITTEN PERMISSION OF GEORGE A. JACOBS, MODEL INC. SHALL BE PROHIBITED. THESE ARE UNLESS OTHERWISE SPECIFIED IN THIS DRAWING.

NOTICE
 THE FOLLOWING
 CORRECTIONS
 OUTSTANDING
 AGAINST THIS
 DRAWING.



2	58042	MOUNTING TEMPLATE	1	
7	57329	CARTON	1	MRD 47303
6	12867	CARTON FILLER PAD	2	
5	10455	CARTON TUBE	1	
4	50768	INSTRUCTION MANUAL	1	
3	50766	WARRANTY STATEMENT	1	
2	55343	INSTALLATION KIT	1	MRD 55344
1	55156	MFD ITEM/WIRING DIAGRAM - 3120	1	
ITEM #/QT NUMBER		DESCRIPTION	QTY	REMARKS

BILL OF MATERIAL

SALES MODEL 3120

CI

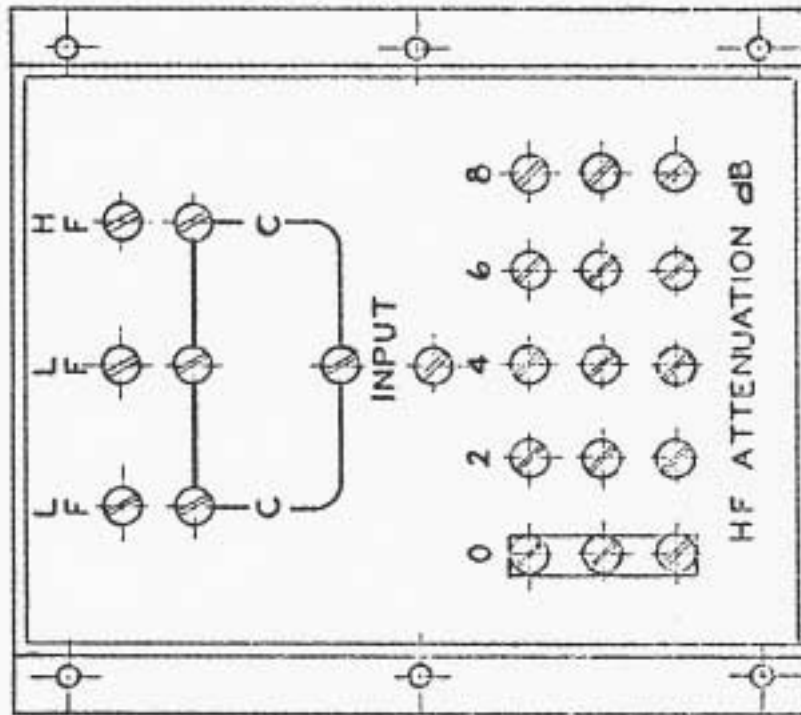
47303

MRD 55344

1. SEE DRAWINGS 57479 FOR PACKING INSTRUCTIONS.
 NOTES: (UNLESS OTHERWISE SPECIFIED)

THESE DRAWINGS AND SPECIFICATIONS ARE THE PROPERTY OF JAMES B. LANSING SOUND INC. THEY ARE ISSUED IN STRICT CONFIDENCE AND SHALL NOT BE REPRODUCED, COPIED, OR USED AS THE BASIS FOR MANUFACTURE OR SALE OF APPARATUS WITHOUT PERMISSION.

208.3



190.5

UNLESS OTHERWISE SPECIFIED DIMENSIONS ARE IN INCHES.

DECIMALS X.X.XX ± 0.005	FRACTIONS X/Y ± 1/32	ANGULAR ±
TIR	MATERIAL	
T	TREATMENT	
II	MACHINE FINISH	V
QTY	MODEL	NEXT DWG
APPLICATION		

REVISIONS

ECN	LET.	CHANGE	DATE	BY
0100	A	REL. TO PROD.	12/12/72	KLS
0497	B	REV PER ECN	12/13/72	OS
487B	C	REV PER DCN	12/17/72	W

PROFESSIONAL DIVIDING NETWORK

It has very high power handling capacity and low insertion loss. High frequency attenuation is obtained in 2 dB steps by connecting a strap across the terminals corresponding to the desired attenuation. Nominal crossover frequency is 500 Hz. The crossover rate of both high and low frequencies is 12 dB per octave.

PART NO. QTY. DESCRIPTION

48552	1	MFD ITEM
47030	1	CARTON MCD 47303
10419	2	FAD, FILLER
50766	1	WARRANTY CARD
56211	1	INSTALLATION KIT# 55344

DRAWN: 500 1-6-72	CHECK: RJS 2/4/72
DESIGN: [Signature]	ENGR: [Signature]
APP: [Signature]	DATE: 2-4-72

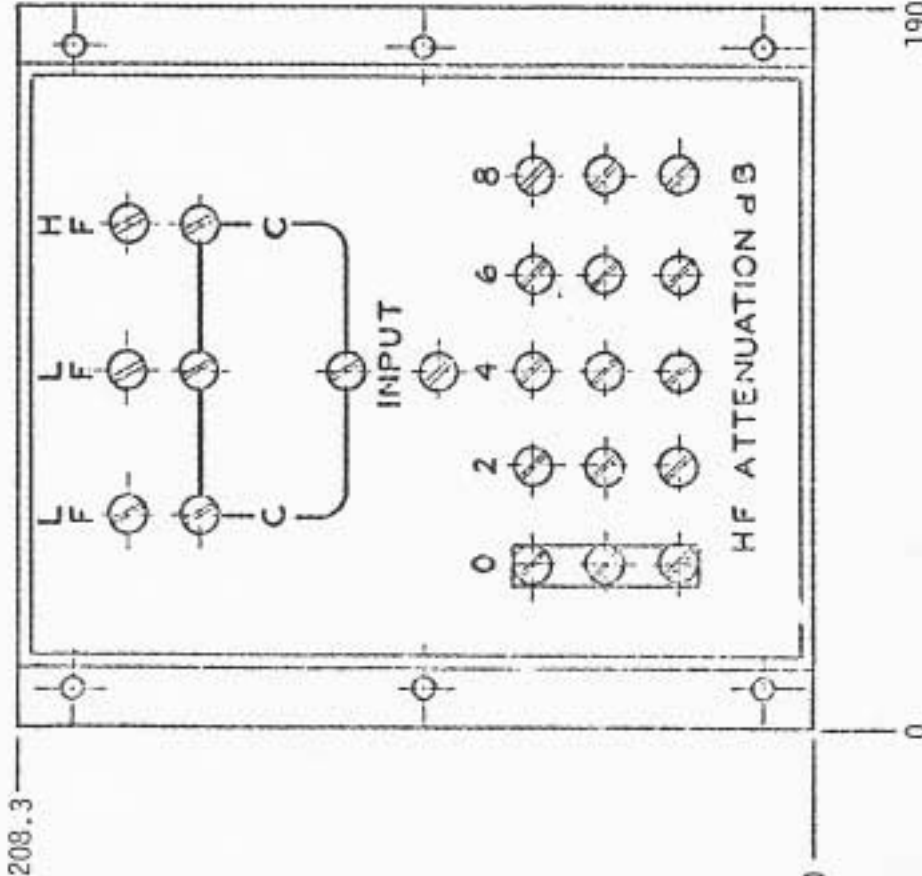
SALES MODEL--3152 NETWORK

SIZE A	SALES MODEL	DRAWING NUMBER 48560	RC. C
SCALE: 1" = 1"	WEIGHT: 1.00	SHEET: 1	OF: 1

THESE DRAWINGS AND SPECIFICATIONS ARE THE PROPERTY OF JAMES B. LANSING SOUND INC. THEY ARE ISSUED IN STRICT CONFIDENCE AND SHALL NOT BE REPRODUCED, COPIED, OR USED AS THE BASIS FOR MANUFACTURE OR SALE OF APPARATUS WITHOUT PERMISSION.

REVISIONS

ECN	LET.	CHANGE	DATE	BY
8100	A	REL. TO P000.	7-22-63	AS
9497	B	REV PER ECN	11-1-63	AS
4875	C	REV PER ECN	11-1-63	AS



PROFESSIONAL DIVIDING NETWORK

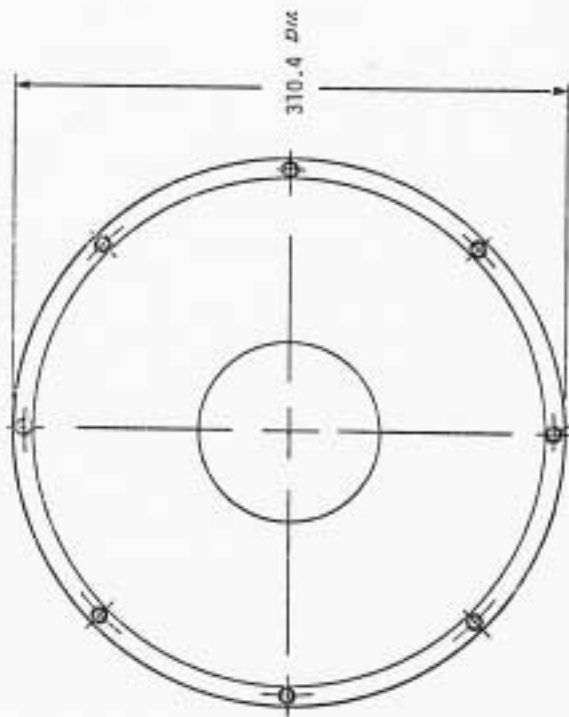
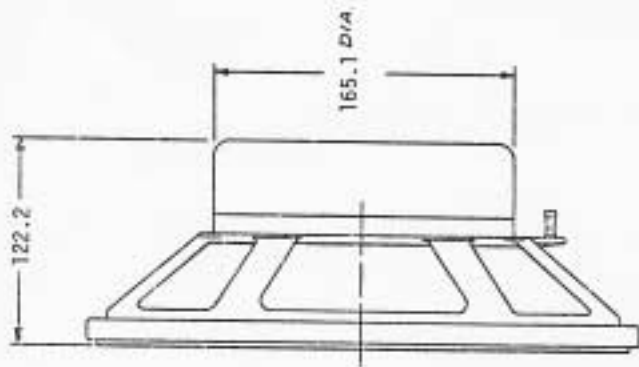
It has very high power handling capacity and low insertion loss. High frequency attenuation is obtained in 2 dB steps by connecting a strap across the terminals corresponding to the desired attenuation. Nominal crossover frequency is 800 Hz. The crossover rate of both high and low frequencies is 12 dB per octave.

PART NO.	QTY.	DESCRIPTION
48554	1	MFD ITEM
47030	1	CARTON MFD 47303
10419	2	PAD, FILLER
56911	1	INST. KIT 55344
50766	1	WARRANTY CARD

UNLESS OTHERWISE SPECIFIED DIMENSIONS ARE IN INCHES.	
DECIMALS X X ± 01	FRACTIONS X / X ± 005
TIR	MATERIAL:
TREATMENT:	MACHINE FINISH: V
QTY	APPLICATION
MODEL	NEXT DWG
DO NOT SCALE DRAWING	

DRAWN: JLB 1-6-72	CHECKED: JFB 2/4/72	DESIGN: JFB	ENGR: JFB	APPR: JFB
TITLE: SALES MODEL--3182 NETWORK				
SIZE: A	SALES MODEL: 48561	DRAWING NUMBER: 48561	REV: C	REV: C
SCALE: 1:1	WEIGHT: 1.00	SHEET: 1	OF: 1	

THIS DRAWING AND SPECIFICATIONS ARE THE PROPERTY OF JACOBS & LEWIS ENGINEERING CO. ANY REPRODUCTION OR TRANSMISSION OF THIS DRAWING OR SPECIFICATIONS WITHOUT WRITTEN PERMISSION IS PROHIBITED.



7.1 DIA THRU, 7.9 DIA C'SORE (8 PLCS)
45° APART ON A293.7 DIA B-2.

2. BAFFLE HOLE CUTOUT TO BE 281.0 DIA.
1. SEE DRAWING 57476 FOR PACKING INSTRUCTIONS.

NOTES: (UNLESS OTHERWISE SPECIFIED)

ITEM	PART NUMBER	DESCRIPTION	QTY	REMARKS
6	34094	CARTON	1	MFD 47303
7	21805	PAD	1	MICROFOAM
6	55318	PAD, EXPANDED POLYSTYRENE	1	
5	50766	WARRANTY STATEMENT	1	
4	50639	INSTRUCTION MANUAL	1	
3	20253	GASKET, VINYL	1	
2	55341	INSTALLATION KIT	1	MFD 55348
1	50244	MFD ITEM	1	

BILL OF MATERIAL

SALES MODEL, K120

DATE: 5/20/55

REV: 1

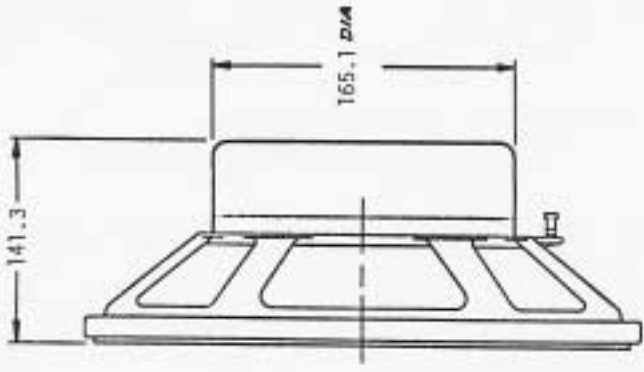
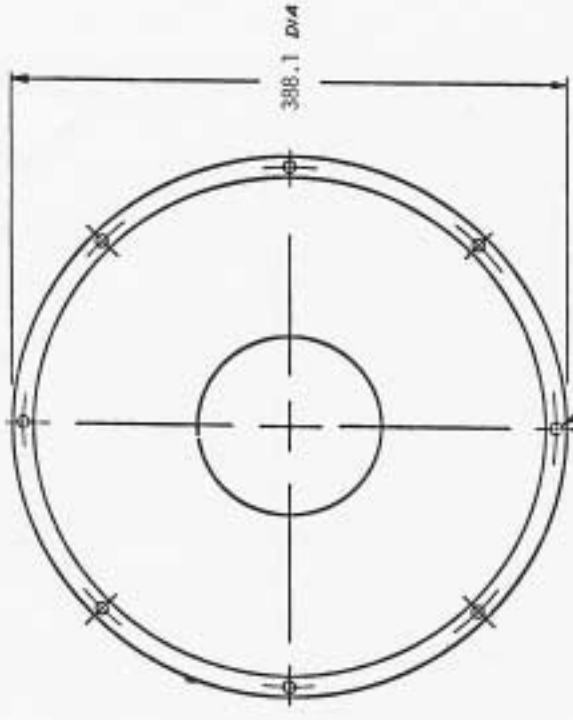
BY: [Signature]

APP: [Signature]

NO. OF COPIES: 1

NO. OF COPIES: 1

THIS DRAWING AND SPECIFICATIONS ARE THE PROPERTY OF AECI. NO PARTS THEREOF ARE TO BE REPRODUCED OR TRANSMITTED IN ANY FORM OR BY ANY MEANS, ELECTRONIC OR MECHANICAL, INCLUDING PHOTOCOPYING, RECORDING, OR BY ANY INFORMATION STORAGE AND RETRIEVAL SYSTEM, WITHOUT PERMISSION IN WRITING FROM AECI.



7.1 DIA THRU (8 PLCS)
45° APART CW A 369.9 DIA B.C.

2. BAFFLE HOLE CUTOUT:
FRONT MOUNT - 342.9 DIA.
REAR MOUNT - 354.8 DIA.

1. SEE DRAWING 57476 FOR PACKING INSTRUCTIONS.
NOTES: (UNLESS OTHERWISE SPECIFIED)

ITEM	PART NO.	DESCRIPTION	QTY	REMARKS
3	35452	CARTON	1	MRD 47503
7	218C9	FRD	1	
6	34940	FRD - EXPANDED POLYSTYRENE	1	
5	50629	INSTRUCTION MANUAL	1	
4	50763	WARRANTY STATEMENT	1	
3	34499	GASKET, VINYL	1	
2	55340	INSTALLATION KIT	1	MRD 55344
1	50273	MF3 ITEM	1	

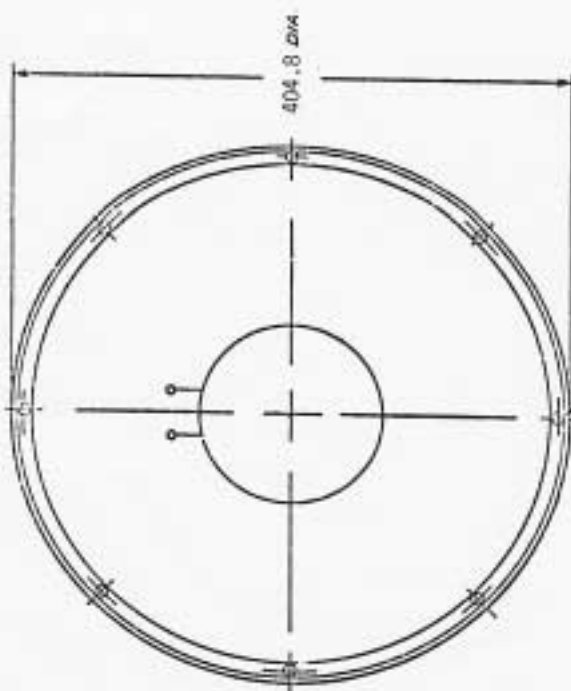
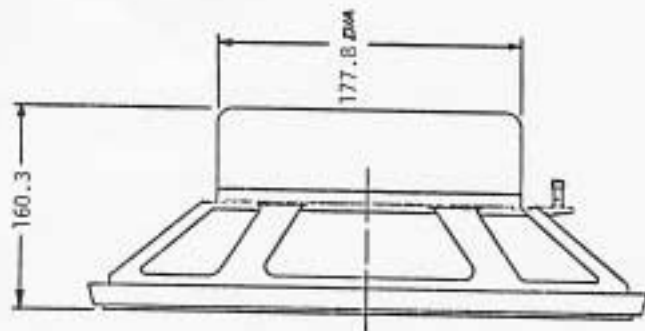
BILL OF MATERIAL

SALES MODEL, K130

50274 B

1 1 1

THIS DRAWING AND DIMENSIONS ARE THE PROPERTY OF AT&T. NO REPRODUCTION OR USE OF THIS DRAWING OR DIMENSIONS IS PERMITTED WITHOUT THE WRITTEN PERMISSION OF AT&T.



7.1 DIA THRU (8 PLCS)
49.0 DIA A.C.

3. ITEMS 5, 6, & 7 ARE USED FOR RACKING ONLY.
2. BAFFLE HOLE CUTOUT:
FRONT MOUNT - 354.8 DIA.
REAR MOUNT - 342.9 DIA.
1. SEE DRAWING 574-77 FOR RACKING INSTRUCTIONS.

NOTES: (UNLESS OTHERWISE SPECIFIED)

ITEM PART NUMBER	DESCRIPTION	QTY	REMARKS
6 55452	CARTON	1	MRD 47303
7 57462	PLYWOOD BR ASSY	1	
6 21098	WASHER, FLAT, #10	4	
5 22279	SCREW, #10-32 x 1 1/2 PL. HD.	4	
4 50139	INSTRUCTION MANUAL	1	
3 50765	WARRANTY STATEMENT	1	
2 57548	INSTALLATION KIT	1	MRD 55348
1 51322	MPD ITEM	1	

D.I.L. OF MATERIAL

SALES MODEL, K145

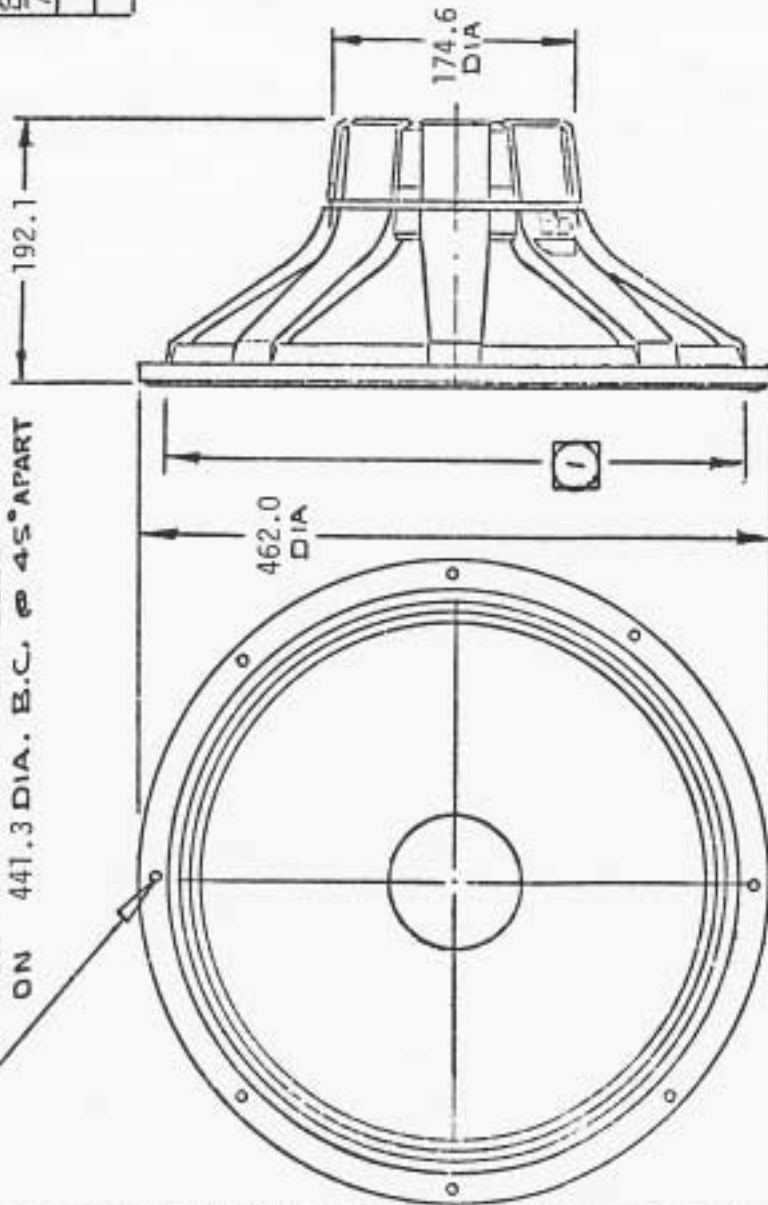
DATE: 5/22/81

BY: [Signature]

REV: 1

IF ANY DIMENSIONS AND SPECIFICATIONS ARE THE PROPERTY OF JAMES H. LANSING SOUND INC. THEY ARE TO BE USED IN STRICT CONFIDENCE AND SHALL NOT BE REPRODUCED, COPIED, OR USED AS THE BASIS FOR MANUFACTURE OR SALE OF EQUIPMENT WITHOUT PERMISSION.

6.7 DIA. THRU - 8 HOLES
ON 441.3 DIA. B.C. @ 45° APART



- FOR SHIPPING USE ONLY.
 - 2. LITERATURE IN CARTON TO INCLUDE 50601 WARRANTY CARD, OWNER'S MANUAL IPI 100, 50639.
 - 427.0 DIA BAFFLE HOLE CUTOUT FOR FRONT MTG.
- NOTE: 422.3 FOR REAR MTG.

UNITS OTHERWISE SPECIFIED DIMENSIONS ARE IN INCHES.

QUANTITY	1	DESCRIPTION	FRACCTIONS
DATE	8/21/73	BY	RAJ
DESIGNED BY	RAJ	CHECKED BY	RAJ
DRAWN BY	RAJ	DATE	8/21/73
SCALE	1:1	PROJECT	50601
REV	1	DESCRIPTION	FRACCTIONS
DATE	8/21/73	BY	RAJ
DESIGNED BY	RAJ	CHECKED BY	RAJ
DRAWN BY	RAJ	DATE	8/21/73
SCALE	1:1	PROJECT	50601

DATE	8/21/73
BY	RAJ
CHECKED BY	RAJ
DATE	8/21/73
PROJECT	50601

DATE	8/21/73
BY	RAJ
CHECKED BY	RAJ
DATE	8/21/73
PROJECT	50601

REVISIONS

EGN	LET.	CHANGE	DATE
67200	A	REL. FOR PROD.	8/22/73
870A	B	ADDED (A) 51273	8/21/73
793B	C	FIN 21754 WAS 21876	8/21/73

PART NO.	QTY.
52185	1
51692	1
21805	1
51199	1
55340	1
51273	4
21754	4
21898	4

DESCRIPTION

REF. ITEM K151
PLYWOOD BD ASSY.
PAD
CARTON MTD 47303
INSTALLATION KIT # L
GASKET
SCREW, 10-32 XI, FL HD
WASHER

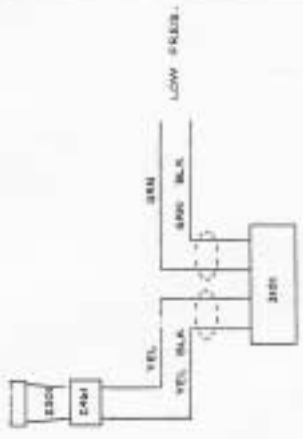
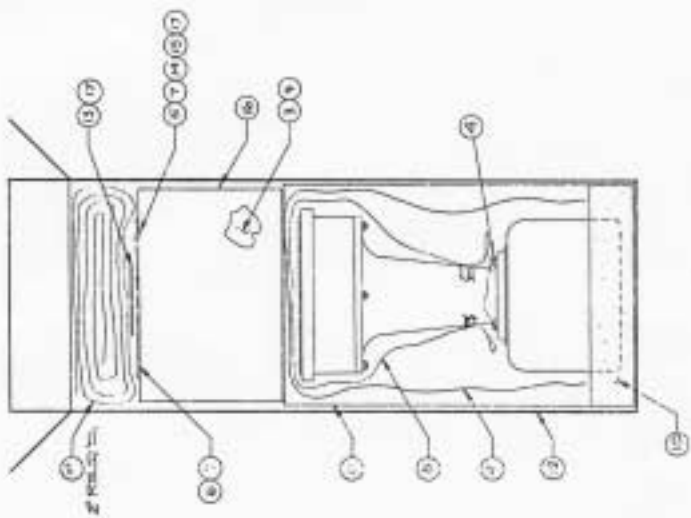
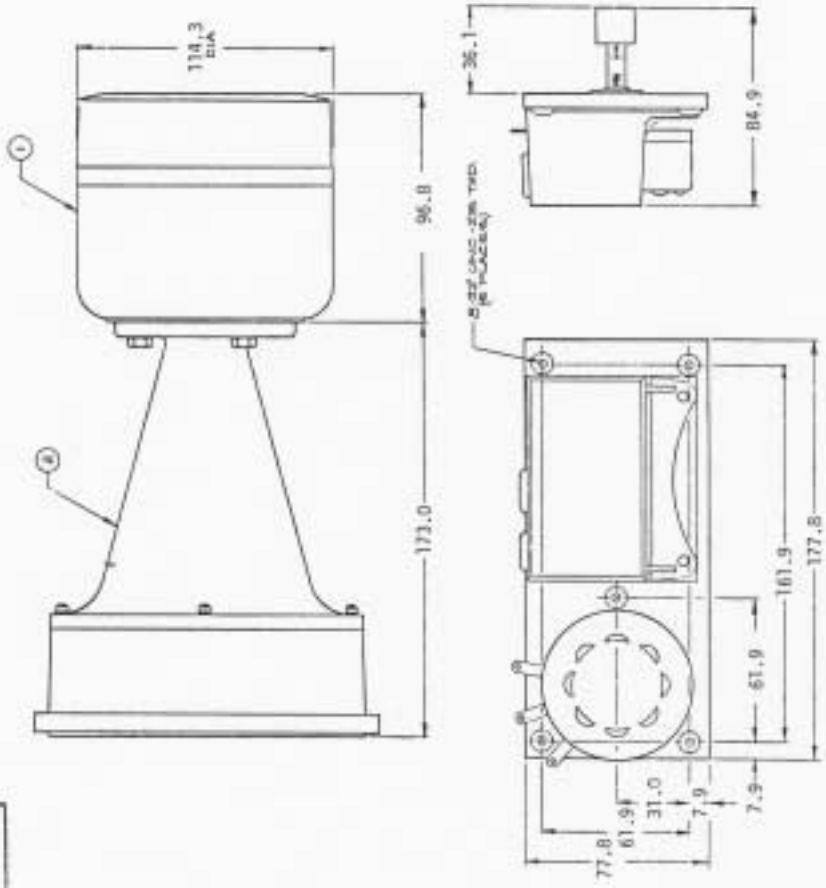
NOTICE
THE FOLLOWING
COR'S ARE
OUTSTANDING
AGAINST THIS
DRAWING.

SALES MODEL, K151

DATE	8/21/73
BY	RAJ
CHECKED BY	RAJ
DATE	8/21/73
PROJECT	50601

12 3/16" DIA. HOLES FOR WIRE BUNDLES (SEE DRAWING)

NOTICE
 THESE DIMENSIONS ARE APPROXIMATE. ACTUAL DIMENSIONS SHALL BE GOVERNED BY THE DRAWING.

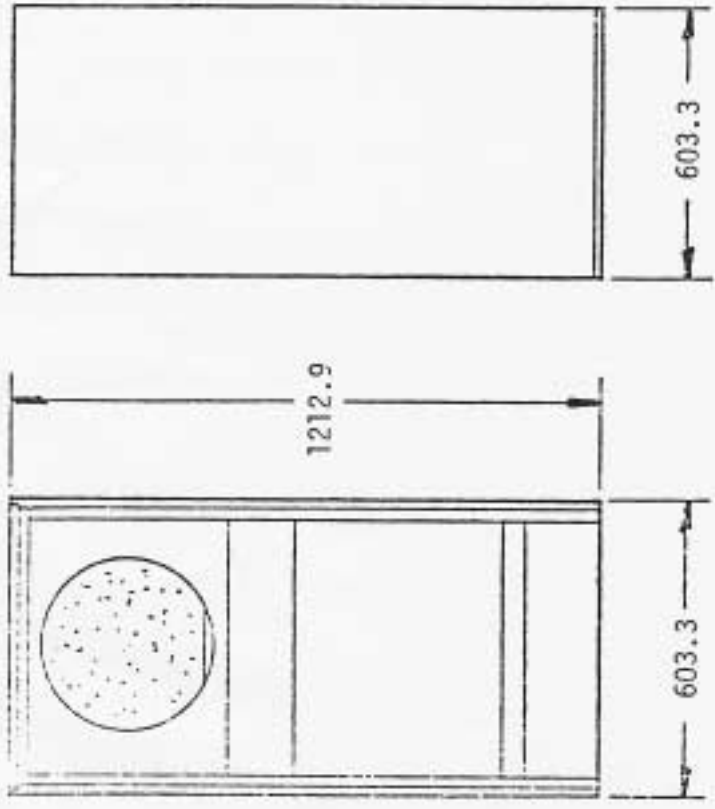


WIRING DIAGRAM

ITEM NO.	DESCRIPTION	QUANTITY	UNIT	REVISION
17	98039	1	TECHNICAL MANUAL, PROFESSIONAL	
18	32161	1	CARTON	800-47303
19	32161	1	RECORDING TAPE (1/2" x 1/4" x 1/4")	
20	32161	1	RECORDING TAPE (1/2" x 1/4" x 1/4")	
21	32161	1	RECORDING TAPE (1/2" x 1/4" x 1/4")	
22	32161	1	RECORDING TAPE (1/2" x 1/4" x 1/4")	
23	32161	1	RECORDING TAPE (1/2" x 1/4" x 1/4")	
24	32161	1	RECORDING TAPE (1/2" x 1/4" x 1/4")	
25	32161	1	RECORDING TAPE (1/2" x 1/4" x 1/4")	
26	32161	1	RECORDING TAPE (1/2" x 1/4" x 1/4")	
27	32161	1	RECORDING TAPE (1/2" x 1/4" x 1/4")	
28	32161	1	RECORDING TAPE (1/2" x 1/4" x 1/4")	
29	32161	1	RECORDING TAPE (1/2" x 1/4" x 1/4")	
30	32161	1	RECORDING TAPE (1/2" x 1/4" x 1/4")	
31	32161	1	RECORDING TAPE (1/2" x 1/4" x 1/4")	
32	32161	1	RECORDING TAPE (1/2" x 1/4" x 1/4")	
33	32161	1	RECORDING TAPE (1/2" x 1/4" x 1/4")	
34	32161	1	RECORDING TAPE (1/2" x 1/4" x 1/4")	
35	32161	1	RECORDING TAPE (1/2" x 1/4" x 1/4")	
36	32161	1	RECORDING TAPE (1/2" x 1/4" x 1/4")	
37	32161	1	RECORDING TAPE (1/2" x 1/4" x 1/4")	
38	32161	1	RECORDING TAPE (1/2" x 1/4" x 1/4")	
39	32161	1	RECORDING TAPE (1/2" x 1/4" x 1/4")	
40	32161	1	RECORDING TAPE (1/2" x 1/4" x 1/4")	
41	32161	1	RECORDING TAPE (1/2" x 1/4" x 1/4")	
42	32161	1	RECORDING TAPE (1/2" x 1/4" x 1/4")	
43	32161	1	RECORDING TAPE (1/2" x 1/4" x 1/4")	
44	32161	1	RECORDING TAPE (1/2" x 1/4" x 1/4")	
45	32161	1	RECORDING TAPE (1/2" x 1/4" x 1/4")	
46	32161	1	RECORDING TAPE (1/2" x 1/4" x 1/4")	
47	32161	1	RECORDING TAPE (1/2" x 1/4" x 1/4")	
48	32161	1	RECORDING TAPE (1/2" x 1/4" x 1/4")	
49	32161	1	RECORDING TAPE (1/2" x 1/4" x 1/4")	
50	32161	1	RECORDING TAPE (1/2" x 1/4" x 1/4")	

- PLACE ITEM 11 IN ONE OF ITEM 7'S ONLY TO OUTSIDE OF ITEM 6.
- ASSEMBLE WITH ONE OF ITEM 8.
- APPLY TAPE TO THE SURFACE OF ITEM 6.
- PLACE ITEM 9 IN ONE OF ITEM 7'S TO INSIDE OF ITEM 6.
- PLACE ITEM 10 IN ONE OF ITEM 7'S TO INSIDE OF ITEM 6.
- PLACE ITEM 12 IN ONE OF ITEM 7'S TO INSIDE OF ITEM 6.
- PLACE ITEM 13 IN ONE OF ITEM 7'S TO INSIDE OF ITEM 6.
- PLACE ITEM 14 IN ONE OF ITEM 7'S TO INSIDE OF ITEM 6.
- PLACE ITEM 15 IN ONE OF ITEM 7'S TO INSIDE OF ITEM 6.
- PLACE ITEM 16 IN ONE OF ITEM 7'S TO INSIDE OF ITEM 6.
- PLACE ITEM 17 IN ONE OF ITEM 7'S TO INSIDE OF ITEM 6.
- PLACE ITEM 18 IN ONE OF ITEM 7'S TO INSIDE OF ITEM 6.
- PLACE ITEM 19 IN ONE OF ITEM 7'S TO INSIDE OF ITEM 6.
- PLACE ITEM 20 IN ONE OF ITEM 7'S TO INSIDE OF ITEM 6.
- PLACE ITEM 21 IN ONE OF ITEM 7'S TO INSIDE OF ITEM 6.
- PLACE ITEM 22 IN ONE OF ITEM 7'S TO INSIDE OF ITEM 6.
- PLACE ITEM 23 IN ONE OF ITEM 7'S TO INSIDE OF ITEM 6.
- PLACE ITEM 24 IN ONE OF ITEM 7'S TO INSIDE OF ITEM 6.
- PLACE ITEM 25 IN ONE OF ITEM 7'S TO INSIDE OF ITEM 6.
- PLACE ITEM 26 IN ONE OF ITEM 7'S TO INSIDE OF ITEM 6.
- PLACE ITEM 27 IN ONE OF ITEM 7'S TO INSIDE OF ITEM 6.
- PLACE ITEM 28 IN ONE OF ITEM 7'S TO INSIDE OF ITEM 6.
- PLACE ITEM 29 IN ONE OF ITEM 7'S TO INSIDE OF ITEM 6.
- PLACE ITEM 30 IN ONE OF ITEM 7'S TO INSIDE OF ITEM 6.
- PLACE ITEM 31 IN ONE OF ITEM 7'S TO INSIDE OF ITEM 6.
- PLACE ITEM 32 IN ONE OF ITEM 7'S TO INSIDE OF ITEM 6.
- PLACE ITEM 33 IN ONE OF ITEM 7'S TO INSIDE OF ITEM 6.
- PLACE ITEM 34 IN ONE OF ITEM 7'S TO INSIDE OF ITEM 6.
- PLACE ITEM 35 IN ONE OF ITEM 7'S TO INSIDE OF ITEM 6.
- PLACE ITEM 36 IN ONE OF ITEM 7'S TO INSIDE OF ITEM 6.
- PLACE ITEM 37 IN ONE OF ITEM 7'S TO INSIDE OF ITEM 6.
- PLACE ITEM 38 IN ONE OF ITEM 7'S TO INSIDE OF ITEM 6.
- PLACE ITEM 39 IN ONE OF ITEM 7'S TO INSIDE OF ITEM 6.
- PLACE ITEM 40 IN ONE OF ITEM 7'S TO INSIDE OF ITEM 6.
- PLACE ITEM 41 IN ONE OF ITEM 7'S TO INSIDE OF ITEM 6.
- PLACE ITEM 42 IN ONE OF ITEM 7'S TO INSIDE OF ITEM 6.
- PLACE ITEM 43 IN ONE OF ITEM 7'S TO INSIDE OF ITEM 6.
- PLACE ITEM 44 IN ONE OF ITEM 7'S TO INSIDE OF ITEM 6.
- PLACE ITEM 45 IN ONE OF ITEM 7'S TO INSIDE OF ITEM 6.
- PLACE ITEM 46 IN ONE OF ITEM 7'S TO INSIDE OF ITEM 6.
- PLACE ITEM 47 IN ONE OF ITEM 7'S TO INSIDE OF ITEM 6.
- PLACE ITEM 48 IN ONE OF ITEM 7'S TO INSIDE OF ITEM 6.
- PLACE ITEM 49 IN ONE OF ITEM 7'S TO INSIDE OF ITEM 6.
- PLACE ITEM 50 IN ONE OF ITEM 7'S TO INSIDE OF ITEM 6.

ALL DRAWINGS AND SPECIFICATIONS ARE THE PROPERTY OF JAMES B. LANSING SOUND INC. THEY ARE ISSUED IN STRICT CONFIDENCE AND SHALL NOT BE REPRODUCED, COPIED, OR USED AS THE BASIS FOR MANUFACTURE OR SALE OF APPARATUS WITHOUT PERMISSION.



REVISIONS

ECN	LET.	CHANGE
7959	A	FEEL FOR FOOD
8007	B	VALVE
8488	C	PLATE
9214	D	PER EO

P/N	DESC	QTY
35210	MFD ITEM <input checked="" type="checkbox"/>	1
54256	CARTON MRD 47303	1
53295	CORNER PAD	8

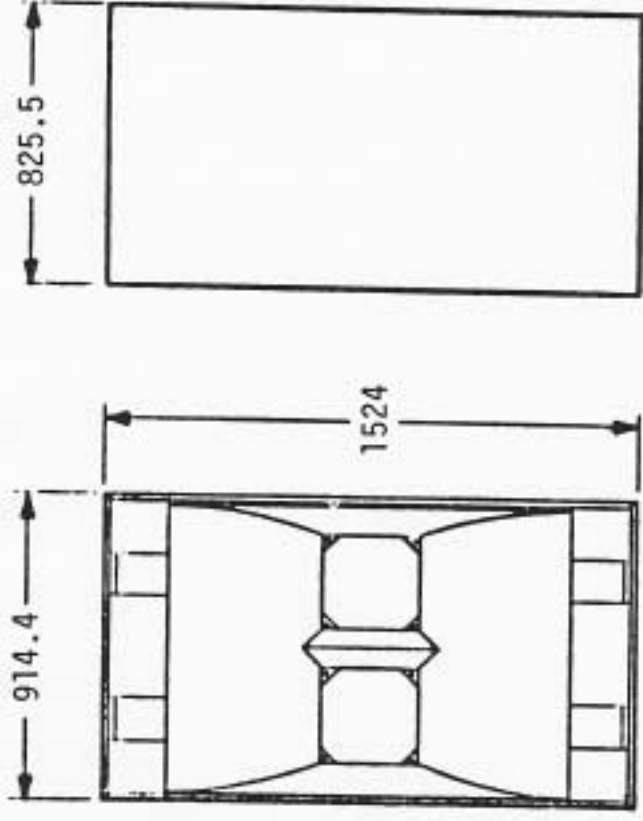
LITERATURE IN 50630 ENVELOPE (STAPLED TO BACK OF CABINET) TO INCLUDE NOTE: 50601 WARR CARD

FINISH: FLAT BLACK

DRAWN: <i>JHA</i>		TITLE: SALES MODEL, 4530BK	
CHECK: <i>RJZ</i>		SALES MODEL	
DESIGN: <i>JHA/RJZ</i>		DRAWING NUMBER: <i>35210</i>	
ENGR: <i>JHA</i>		SCALE: <i>1:1</i>	
UNLESS OTHERWISE SPECIFIED DIMENSIONS ARE IN INCHES.		DO NOT SCALE DRAWING	
DECIMALS	FRACTIONS	ANGULAR	
<i>XXX</i> OF <i>XXX</i>	<i>XX</i> ± <i>XX</i>	±	
MATERIAL:	TREATMENT:	MACHINE FINISH: <i>V</i>	
PLK	PLK	PLK	

THIS DRAWING AND SPECIFICATION ARE THE PROPERTY OF THE U.S. AIR FORCE. IT IS TO BE KEPT IN THE ORIGINAL FILE AND NOT REPRODUCED OR TRANSMITTED IN ANY FORM OR BY ANY MEANS, ELECTRONIC OR MECHANICAL, INCLUDING PHOTOCOPYING, RECORDING, OR BY ANY INFORMATION STORAGE AND RETRIEVAL SYSTEM, WITHOUT PERMISSION IN WRITING FROM THE AIR FORCE.

REV	DESCRIPTION	DATE	APP'D



59386

ITEM	PART NO.	DESCRIPTION	QTY	REMARKS
5	54257	CARTON	1	47303
4	50610	ENVELOPE	1	
3	50762	HAPPYTY SIZEMENT	1	
2	53255	PRO. CARRIER	6	
1	55357	MFD. ITEM. 45506K	1	

BILL OF MATERIAL	
TOLERANCES UNLESS OTHERWISE SPECIFIED: DIMENSIONS IN INCHES DECIMALS .0005 FRACTIONS 1/16	SALES MODEL 45506K A21 59386 A

1 PUT ITEM 2 INTO ITEM 4 THEN STAPLE ITEM 4 IN EACH OF ENVELOPE.
 NOTES: UNLESS OTHERWISE SPECIFIED

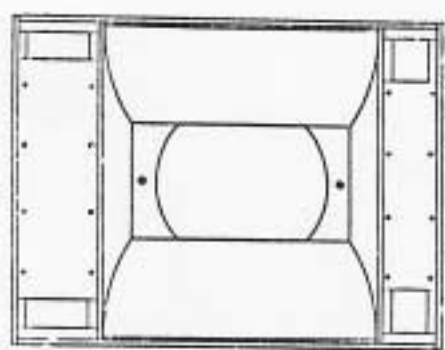
4 3 2 1

D C B A

86 1 2 3 4 86

THIS OFFICE WILL NOT BE RESPONSIBLE FOR THE RETURN OF ANY OF THE ABOVE LISTED ITEMS TO THE OFFICE OF ORIGIN.

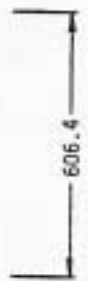
1. THE FOLLOWING
 2. THE FOLLOWING
 3. THE FOLLOWING
 4. THE FOLLOWING
 5. THE FOLLOWING
 6. THE FOLLOWING
 7. THE FOLLOWING
 8. THE FOLLOWING
 9. THE FOLLOWING
 10. THE FOLLOWING
 11. THE FOLLOWING
 12. THE FOLLOWING
 13. THE FOLLOWING
 14. THE FOLLOWING
 15. THE FOLLOWING
 16. THE FOLLOWING
 17. THE FOLLOWING
 18. THE FOLLOWING
 19. THE FOLLOWING
 20. THE FOLLOWING
 21. THE FOLLOWING
 22. THE FOLLOWING
 23. THE FOLLOWING
 24. THE FOLLOWING
 25. THE FOLLOWING
 26. THE FOLLOWING
 27. THE FOLLOWING
 28. THE FOLLOWING
 29. THE FOLLOWING
 30. THE FOLLOWING
 31. THE FOLLOWING
 32. THE FOLLOWING
 33. THE FOLLOWING
 34. THE FOLLOWING
 35. THE FOLLOWING
 36. THE FOLLOWING
 37. THE FOLLOWING
 38. THE FOLLOWING
 39. THE FOLLOWING
 40. THE FOLLOWING
 41. THE FOLLOWING
 42. THE FOLLOWING
 43. THE FOLLOWING
 44. THE FOLLOWING
 45. THE FOLLOWING
 46. THE FOLLOWING
 47. THE FOLLOWING
 48. THE FOLLOWING
 49. THE FOLLOWING
 50. THE FOLLOWING
 51. THE FOLLOWING
 52. THE FOLLOWING
 53. THE FOLLOWING
 54. THE FOLLOWING
 55. THE FOLLOWING
 56. THE FOLLOWING
 57. THE FOLLOWING
 58. THE FOLLOWING
 59. THE FOLLOWING
 60. THE FOLLOWING
 61. THE FOLLOWING
 62. THE FOLLOWING
 63. THE FOLLOWING
 64. THE FOLLOWING
 65. THE FOLLOWING
 66. THE FOLLOWING
 67. THE FOLLOWING
 68. THE FOLLOWING
 69. THE FOLLOWING
 70. THE FOLLOWING
 71. THE FOLLOWING
 72. THE FOLLOWING
 73. THE FOLLOWING
 74. THE FOLLOWING
 75. THE FOLLOWING
 76. THE FOLLOWING
 77. THE FOLLOWING
 78. THE FOLLOWING
 79. THE FOLLOWING
 80. THE FOLLOWING
 81. THE FOLLOWING
 82. THE FOLLOWING
 83. THE FOLLOWING
 84. THE FOLLOWING
 85. THE FOLLOWING
 86. THE FOLLOWING
 87. THE FOLLOWING
 88. THE FOLLOWING
 89. THE FOLLOWING
 90. THE FOLLOWING
 91. THE FOLLOWING
 92. THE FOLLOWING
 93. THE FOLLOWING
 94. THE FOLLOWING
 95. THE FOLLOWING
 96. THE FOLLOWING
 97. THE FOLLOWING
 98. THE FOLLOWING
 99. THE FOLLOWING
 100. THE FOLLOWING



762



914.4



606.4

1. PLACE ITEM 3 IN ITEM 4 AND STAPLE TO BACK OF ITEM 1 WITH ITEM 5.

NOTE: UNLESS OTHERWISE SPECIFIED.

ITEM	PART NO.	DESCRIPTION	QTY.	REMARKS
6	54258	CARTON	1	MRD 47303
5	22470S	STAPLE	A/R	
4	5C630	ENVELOPE	1	
3	50766	WARRANTY STATEMENT	1	
2	53295	CORNER PAD	8	
1	57993	MFD ITEM	1	

BILL OF MATERIAL

SALES MODEL, 45606KA

57993

07